

Katalog náhradních dílů  
pro šicí stroj

GARUDAN®

GARUDAN GZ-557 Serie



ANITA B s.r.o.

Hliníky 2068

680 01 Boskovice

Czech Republic

fax: +420 516 452 751

tel: +420 516 454 774,

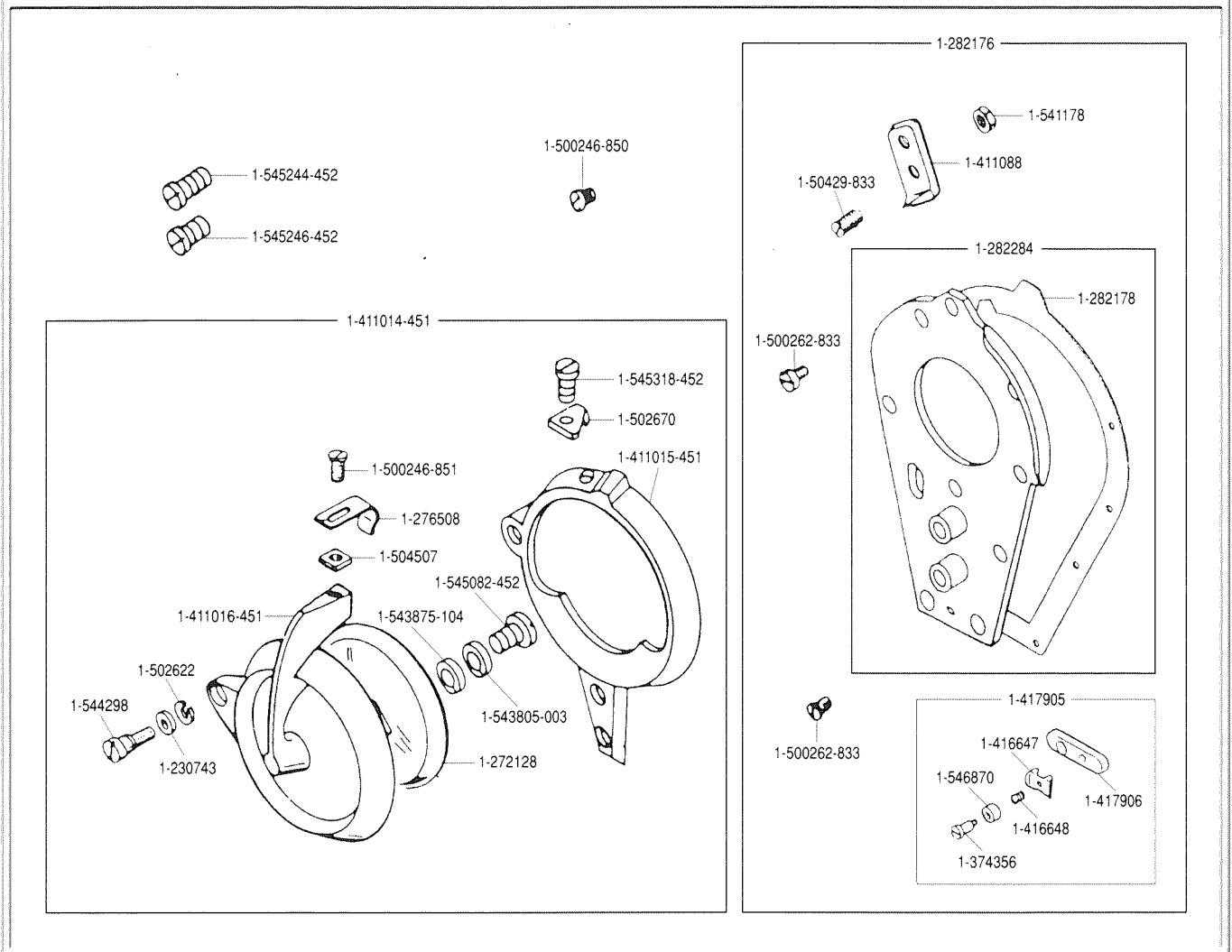
+420 516 453 496

e-mail: [info@anita.cz](mailto:info@anita.cz)

# CONTENTS

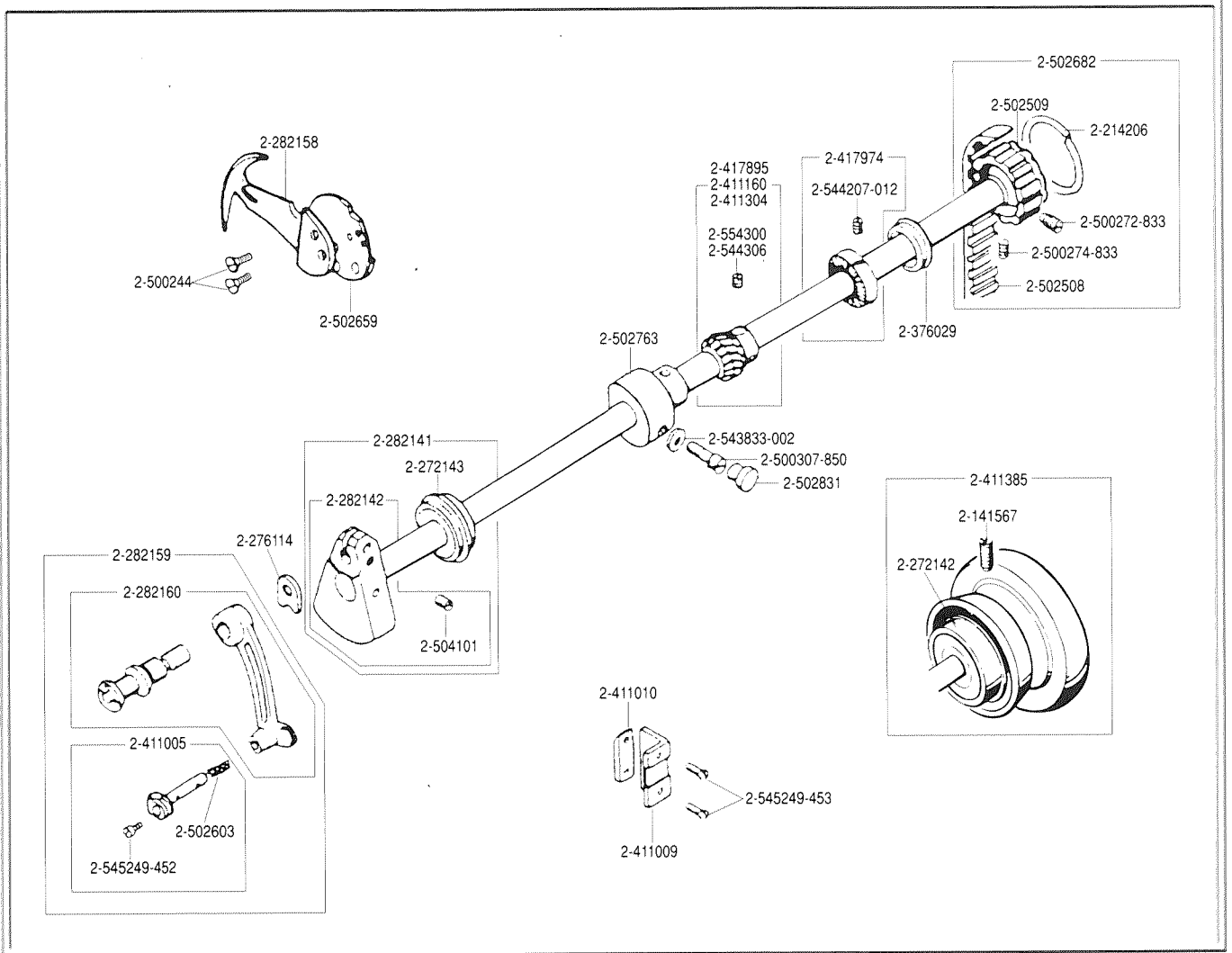
- P01 ROTARY TAKE-UP GUARD, FACE PLATE
- P02 ARM SHAFT, ROTARY TAKE-UP
- P03 TENSION RELEASER, KNEE LIFTER ROCK FRAME
- P04 PRESSER BAR, THROAT PLATE, FEED DOG
- P05 NEEDLE BAR YOKE, NEEDLE
- P06 NEEDLE BAR CONNECTING LINK (FOR 135L/143N-L)
- P07 NEEDLE BAR CONNECTING LINK (FOR 105L/125L)
- P08 NEEDLE VIBRATING YOKE CONNECTING LINK CARRIER FRAME (CPL.)  
(FOR 125L/135L/143N-L)
- P09 NEEDLE VIBRATING YOKE CONNECTING LINK CARRIER FRAME (CPL.)  
(FOR 105L)
- P10 NEEDLE VIBRATING ADJUSTING BRACKET (FOR 105L)
- P11 NEEDLE BAR CONNECTING LINK (FOR 143N-L)
- P12 HOOK SHAFT, BEVEL GEAR
- P13 HOOK, BOBBIN CASE & ACCESSORIES
- P14 FEED DRIVING CONNECTION, CARRIER FRAME
- P15 BED SHAFT, FEED DRIVING ROCK SHAFT CRANK
- P16 FEED REGULATING INDICATOR, LINK
- P17 OIL PUMP BODY
- P18 ARM COVER (BACK)
- P19 ARM COVER (TOP)(ASSEMBLY)
- P20 PRETENSION, TENSION
- P21 OIL RESERVOIR AND KNEE LIFTER
- P22 BELT GUARD, THREAD UNWINDER (2-SPOOL)
- P23 OPTIONAL CAMS
- P24 PARTS LIST BY NUMERICAL

# ROTARY TAKE-UP GUARD, FACE PLATE



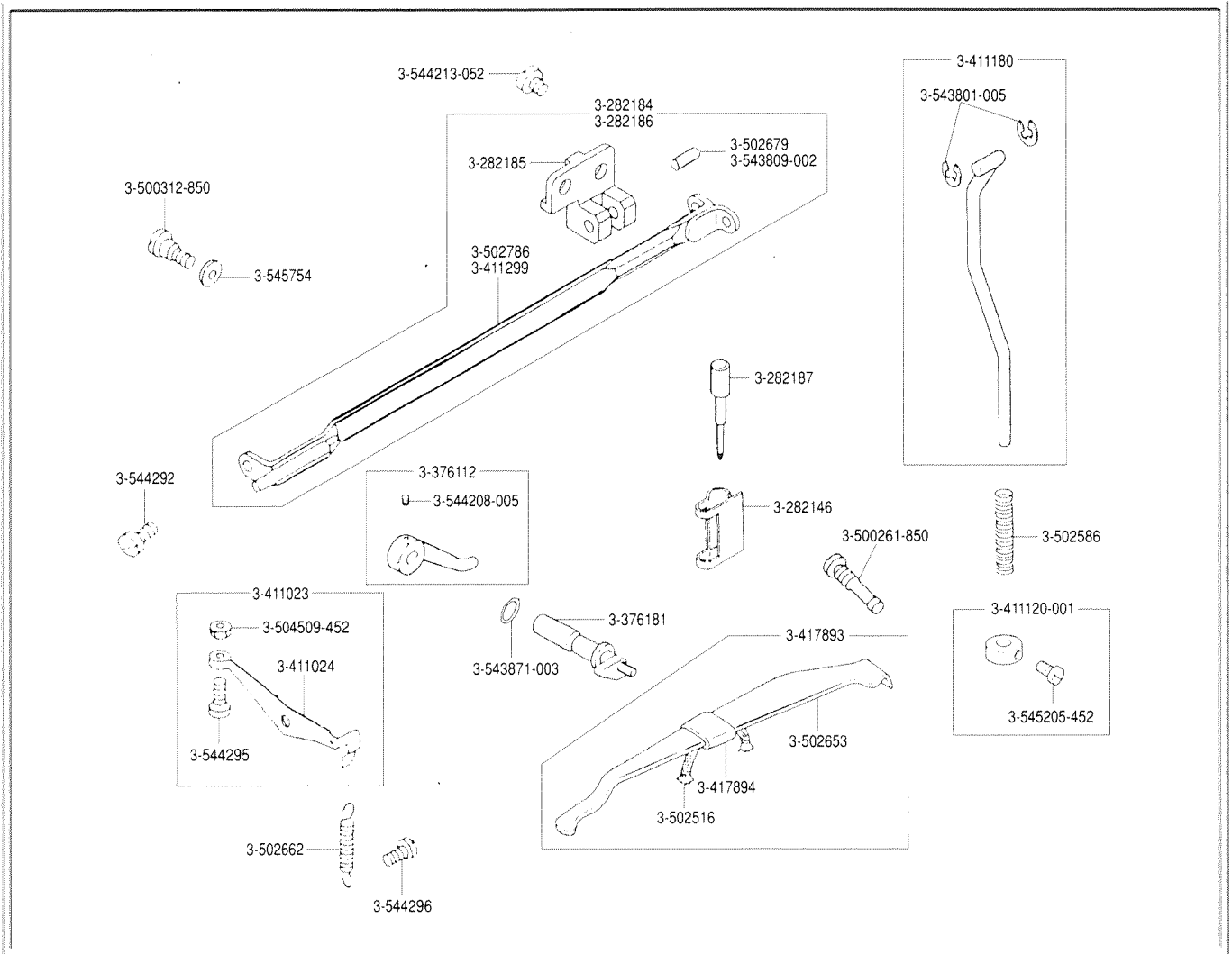
PART NO.	DESCRIPTION	PART NO.	DESCRIPTION
1- 50429-833	THREAD CUTTER (ON FACE PLATE) ADJUSTING SCREW	1-500246-850	FACE PLATE SCREW (8)
1-230743	ROTARY TAKE-UP GUARD HINGE SCREW WASHER	1-500246-851	ROTARY TAKE-UP GUARD SPRING CATCH SCREW
1-272128	ROTARY TAKE-UP GUARD COVER WINDOW	1-500262-833	THREAD CUTTER (ON FACE PLATE) SCREW
1-276508	ROTARY TAKE-UP GUARD SPRING CATCH	1-502622	ROTARY TAKE-UP GUARD HINGE SCREW SPRING WASHER
1-282176	FACE PLATE (CPL.)	1-502670	THREAD CUTTER (ON ROTARY TAKE-UP GUARD)
1-282178	FACE PLATE GASKET	1-504507	ROTARY TAKE-UP GUARD SPRING CATCH SCREW NUT
1-282284	FACE PLATE. GASKET (CPL.)	1-541178	THREAD CUTTER (ON FACE PLATE) ADJUSTING SCREW NUT
1-374356	NEEDLE THREAD NIPPER HINGE SCREW	1-543805-003	ROTARY TAKE-UP GUARD COVER WINDOW SCREW SPRING WASHER
1-411014-451	ROTARY TAKE-UP GUARD (CPL.)	1-543875-104	ROTARY TAKE-UP GUARD COVER WINDOW SCREW WASHER
1-411015-451	ROTARY TAKE-UP GUARD	1-544298	ROTARY TAKE-UP GUARD HINGE SCREW
1-411016-451	ROTARY TAKE-UP GUARD COVER	1-545082-452	ROTARY TAKE-UP GUARD COVER WINDOW SCREW
1-411088	THREAD CUTTER (ON FACE PLATE)	1-545244-452	ROTARY TAKE-UP GUARD SCREW (LONG)
1-416647	NEEDLE THREAD NIPPER THREAD GUIDE	1-545246-456	ROTARY TAKE-UP GUARD SCREW (SHORT)
1-416648	NEEDLE THREAD NIPPER SPRING	1-545318-452	THREAD CUTTER (ON ROTARY TAKE-UP GUARD) SCREW
1-417905	NEEDLE THREAD NIPPER (CPL.)	1-546870	NEEDLE THREAD NIPPER SPRING CAP
1-417906	NEEDLE THREAD NIPPER PLATE		

# ARM SHAFT, ROTARY TAKE-UP



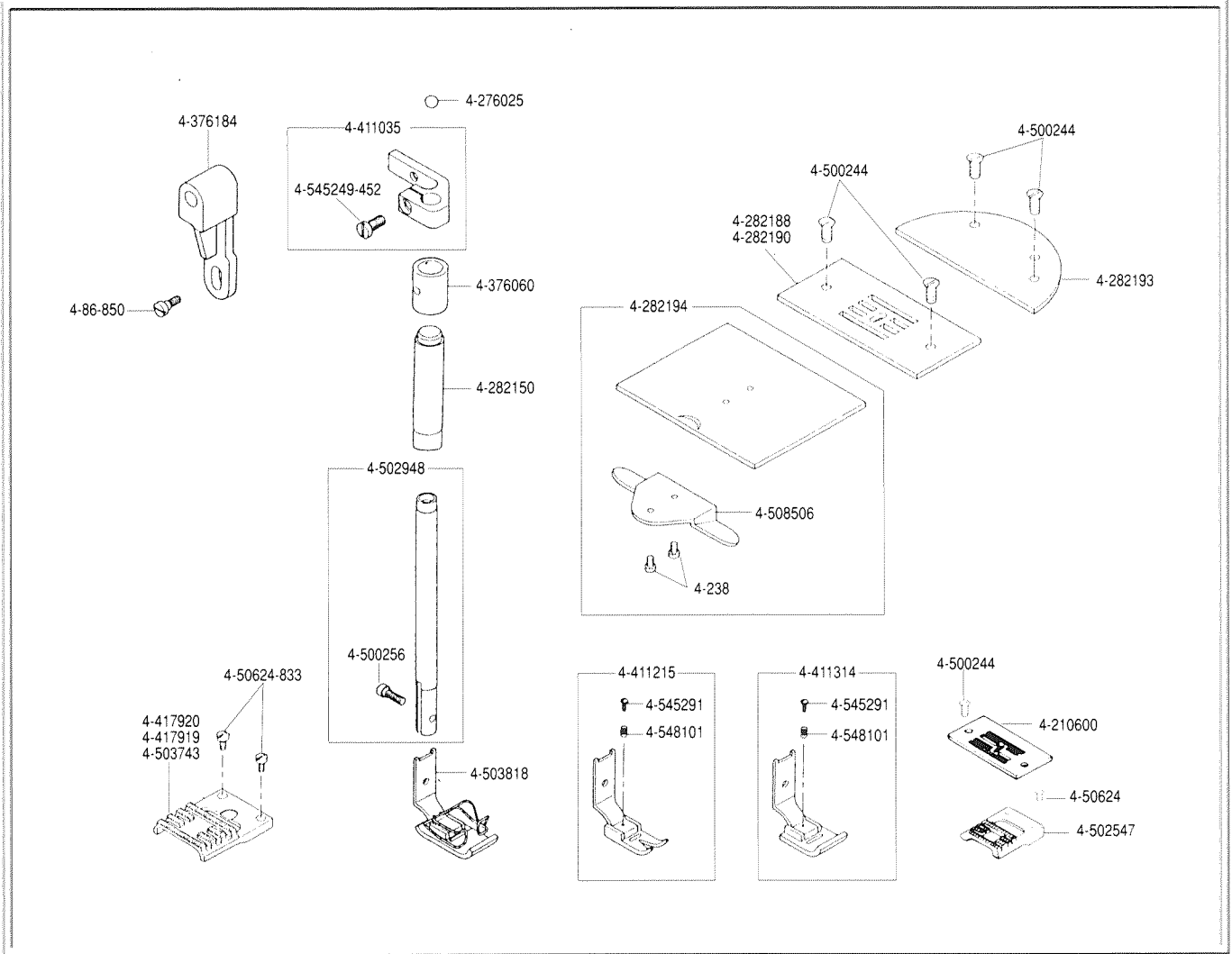
PART NO.	DESCRIPTION	PART NO.	DESCRIPTION
2-141567	MACHINE PULLEY SET SCREW (2)	2-500244	ROTARY TAKE-UP SCREW
2-214206	ARM SHAFT CONNECTION BELT PULLEY RING	2-500272-833	ARM SHAFT CONNECTION BELT PULLEY SET SCREW
2-272142	ARM SHAFT BEARING	2-500274-833	ARM SHAFT CONNECTION BELT PULLEY POSITION SCREW
2-272143	ARM SHAFT BALL BEARING	2-500307-850	ARM SHAFT BUSHING (CENTER) SCREW
2-276114	NEEDLE BAR CRANK THRUST WASHER	2-502508	ARM SHAFT CONNECTION BELT
2-282141	ARM SHAFT (ASS'Y)	2-502509	ARM SHAFT CONNECTION BELT PULLEY
2-282142	ARM SHAFT WITH NEEDLE BAR CRANK	2-502603	NEEDLE BAR CONNECTING STUD OIL WICK
2-282158	ROTARY TAKE-UP	2-502659	ROTARY TAKE-UP MOUNTING DISK
2-282159	NEEDLE BAR CONNECTING STUD, CONNECTING LINK (CPL.)	2-502682	ARM SHAFT CONNECTION BELT PULLEY (CPL.)
2-282160	NEEDLE BAR CONNECTING LINK, CRANK STUD (CPL.)	2-502763	ARM SHAFT BUSHING (CENTER)
2-376029	ARM SHAFT OIL SHIELD	2-502831	ARM SHAFT BUSHING (CENTER) PLUG
2-411005	NEEDLE BAR CONNECTING STUD (CPL.)	2-504101	NEEDLE BAR CRANK STUD POSITION SCREW
2-411009	NEEDLE BAR CONNECTING LINK GUIDE BLOCK	2-543833-002	ARM SHAFT BUSHING (CENTER) WASHER
2-411010	NEEDLE BAR CONNECTING LINK CLAMPING PLATE	2-544207-012	BOBBIN WINDER DRIVING WHEEL SET SCREW
2-411160	NEEDLE VIBRATING WORM GEAR (CPL.)(FOR 135L)	2-544300	NEEDLE VIBRATING PINION SET SCREW
2-411304	NEEDLE VIBRATING WORM GEAR (CPL.)(FOR 143N-L)	2-544306	NEEDLE VIBRATING WORM GEAR SET SCREW
2-411385	MACHINE PULLEY WITH 2-272142 AND TWO 2-141567	2-545249-452	NEEDLE BAR CONNECTING STUD SCREW
2-417895	NEEDLE VIBRATING PINION (CPL.)(FOR 105L/125L)	2-545249-453	NEEDLE BAR CONNECTING LINK GUIDE BLOCK SCREW
2-417974	BOBBIN WINDER DRIVING WHEEL (CPL.)		

# TENSION RELEASER, KNEE LIFTER ROCK FRAME



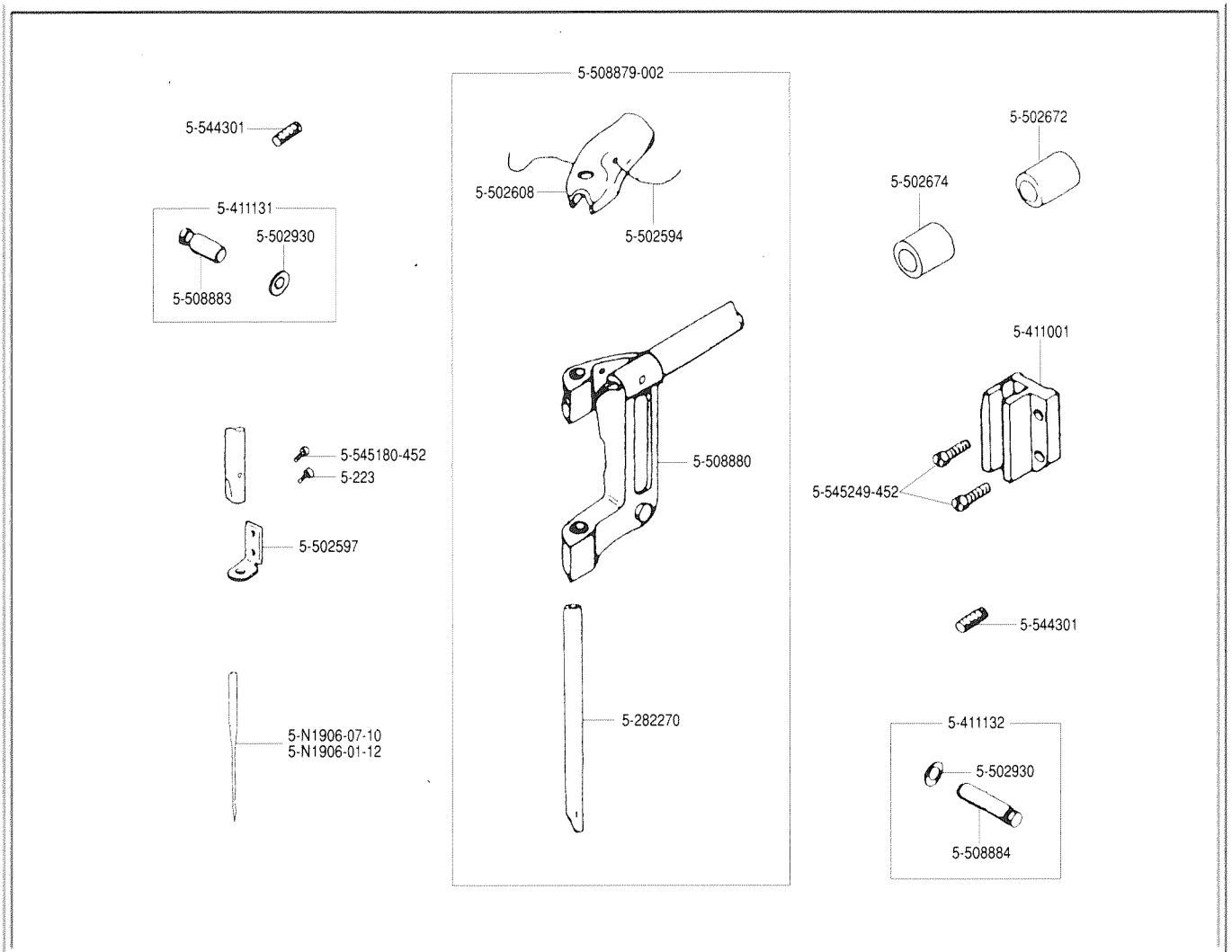
PART NO.	DESCRIPTION	PART NO.	DESCRIPTION
3-282146	PRESSER BAR SPRING ADJUSTING SCREW FRICTION	3-502586	KNEE LIFTER LIFTING ROD SPRING
3-282184	KNEE LIFTER ROCK FRAME (CPL.)(FOR 105L, 125L, 135L)	3-502653	PRESSER BAR SPRING
3-282185	KNEE LIFTER ROCK FRAME HINGE	3-502662	TENSION RELEASER SPRING
3-282186	KNEE LIFTER ROCK FRAME (CPL.)(FOR 143N-L)	3-502679	KNEE LIFTER ROCK FRAME HINGE STUD PIN (FOR 105L, 125L, 135L)
3-282187	PRESSER BAR SPRING ADJUSTING SCREW	3-502786	KNEE LIFTER ROCK FRAME (FOR 105L, 125L, 135L)
3-376112	PRESSER BAR LITER (CPL.)	3-504509-452	TENSION RELEASER ADJUSTING SCREW NUT
3-376181	PRESSER BAR LIFTING CAM STUD (CPL.)	3-543801-005	KNEE LIFTER LIFTING ROD RING
3-411023	TENSION RELEASER (CPL.)	3-543809-002	KNEE LIFTER ROCK FRAME HINGE STUD PIN (FOR 143N-L)
3-411024	TENSION RELEASER	3-543871-003	PRESSER BAR LIFTING CAM STUD O-RING
3-411120-001	KNEE LIFTER LIFTING ROD SPRING COLLAR (CPL.)	3-544208-005	PRESSER BAR LIFTER SET SCREW
3-411180	KNEE LIFTER LIFTING ROD(ASS'Y)	3-544213-052	KNEE LIFTER ROCK FRAME HINGE LOCK SCREW
3-411299	KNEE LIFTER ROCK FRAME (FOR 143N-L)	3-544292	KNEE LIFTER ROCK FRAME HINGE SCREW
3-417893	PRESSER BAR SPRING (CPL.)	3-544295	TENSION RELEASER ADJUSTING SCREW
3-417894	PRESSER BAR SPRING TUBE	3-544296	TENSION RELEASER HINGE SCREW
3-500261-850	PRESSER BAR SPRING SUPPORT SCREW	3-545205-452	KNEE LIFTER LIFTING ROD SPRING COLLAR SCREW
3-500312-850	LIGHT STUD HOLE PLUG SCREW	3-545754	LIGHT STUD HOLE PLUG SCREW WASHER
3-502516	PRESSER BAR SPRING WICK		

# PRESSER BAR, THROAT PLATE, FEED DOG



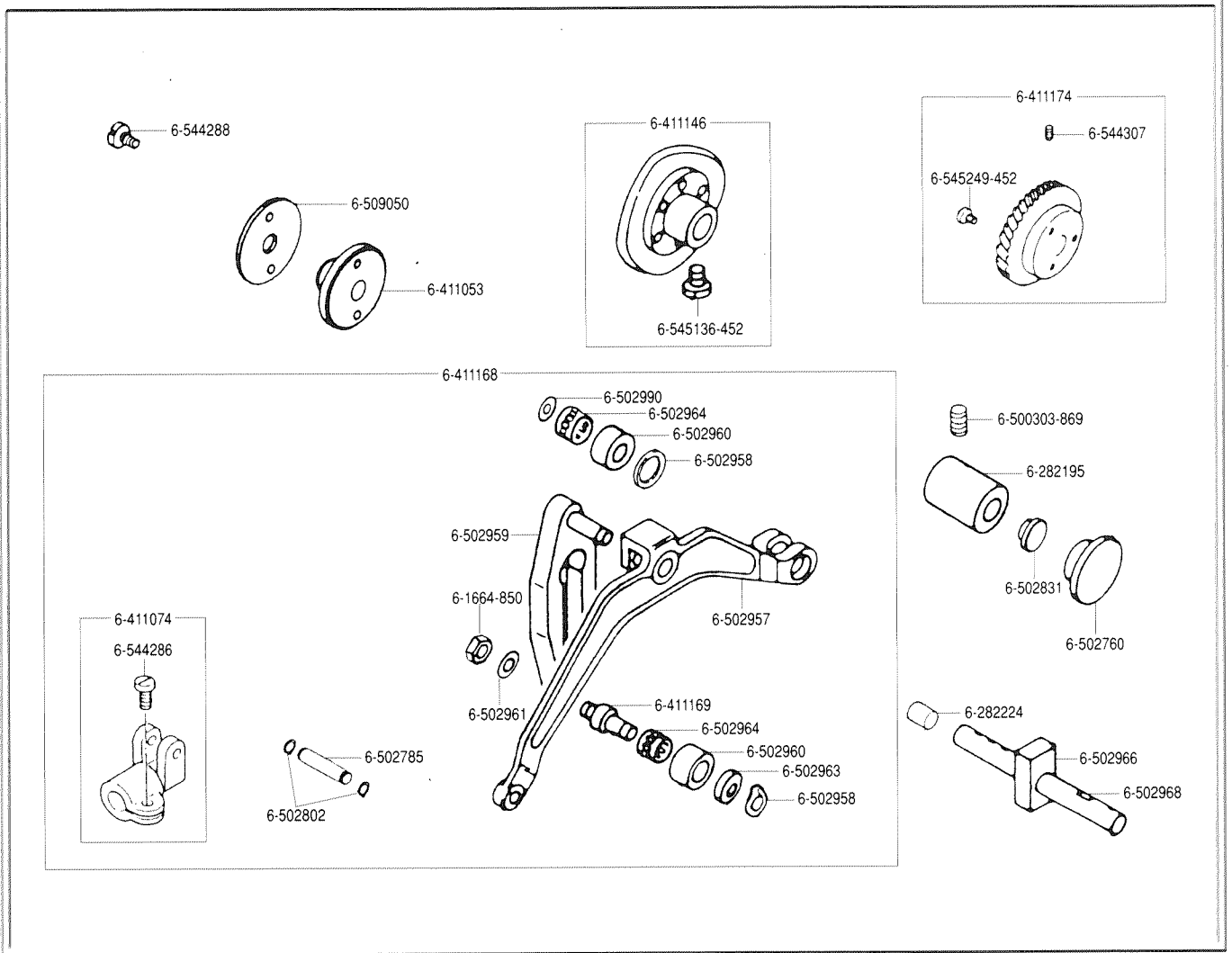
PART NO.	DESCRIPTION	PART NO.	DESCRIPTION
4- 86-850	PRESSER BAR LIFTING LINK SCREW	4-411314	PRESSER FOOT (HINGED)(CPL.)(FOR 135L, 143N-L)
4- 238	BED SLIDE SPRING	4-417919	FEED DOG (FOR 125L)
4- 50624-833	FEED DOG SCREW	4-417920	FEED DOG (FOR 105L, 135L, 143N-L)
4-210600	THROAT PLATE (FOR 125L)	4-500244	THROAT PLATE SCREW
4-276025	PRESSER BAR BALL	4-500256	PRESSER FOOT SCREW
4-282150	PRESSER BAR BUSHING	4-502547	FEED DOG (FOR 125L)
4-282188	THROAT PLATE (FOR 105L, 135L, 143N-L)	4-502948	PRESSER BAR (CPL.)
4-282190	THROAT PLATE (FOR 125L)	4-503743	FEED DOG (FOR 135L)
4-282193	RED PLATE	4-503818	PRESSER FOOT (HINGED)(CPL.)(FOR 105L, 135L)
4-282194	BED SLIDE (CPL.)	4-508506	BED SLIDE SPRING SCREW
4-376060	PRESSER BAR BUSHING COVER	4-545249-452	PRESSER BAR POSITION GUIDE SCREW
4-376184	PRESSER BAR LIFTING CAM CATCH	4-545291	PRESSER FOOT PLATE STOP SCREW
4-411035	PRESSER BAR POSITION GUIDE (CPL.)	4-548101	PRESSER FOOT PLATE STOP SCREW SPRING
4-411215	PRESSER FOOT (HINGED)(CPL.)(FOR 125L)		

# NEEDLE BAR YOKE, NEEDLE



PART NO.	DESCRIPTION	PART NO.	DESCRIPTION
5- 223	NEEDLE SET SCREW	5-502672	NEEDLE BAR YOKE SHAFT BUSHING (BACK)
5-N1906-01-12	SCHMETZ NEEDLE DPX5 (135X5) #12	5-502674	NEEDLE BAR YOKE SHAFT BUSHING (FRONT)
5-N1906-07-10	SCHMETZ NEEDLE DPX5 (135X5) #10	5-502930	NEEDLE BAR YOKE GUIDE SEAL
5-282270	NEEDLE BAR	5-508879-002	NEEDLE BAR YOKE (ASS'Y)
5-411001	NEEDLE BAR CONNECTING STUD GUIDE BLOCK	5-508880	NEEDLE BAR YOKE (CPL.)
5-411131	NEEDLE BAR YOKE GUIDE (REAR)(CPL.)	5-508883	NEEDLE BAR YOKE GUIDE (REAR)
5-411132	NEEDLE BAR YOKE GUIDE (FRONT)(CPL.)	5-508884	NEEDLE BAR YOKE GUIDE (FRONT)
5-502594	NEEDLE BAR OIL FELT CORD	5-544301	NEEDLE BAR YOKE GUIDE SET SCREW
5-502597	NEEDLE BAR THREAD GUIDE	5-545180-452	NEEDLE BAR THREAD GUIDE SCREW
5-502608	NEEDLE BAR OIL FELT	5-545249-452	NEEDLE BAR CONNECTING STUD GUIDE BLOCK SCREW

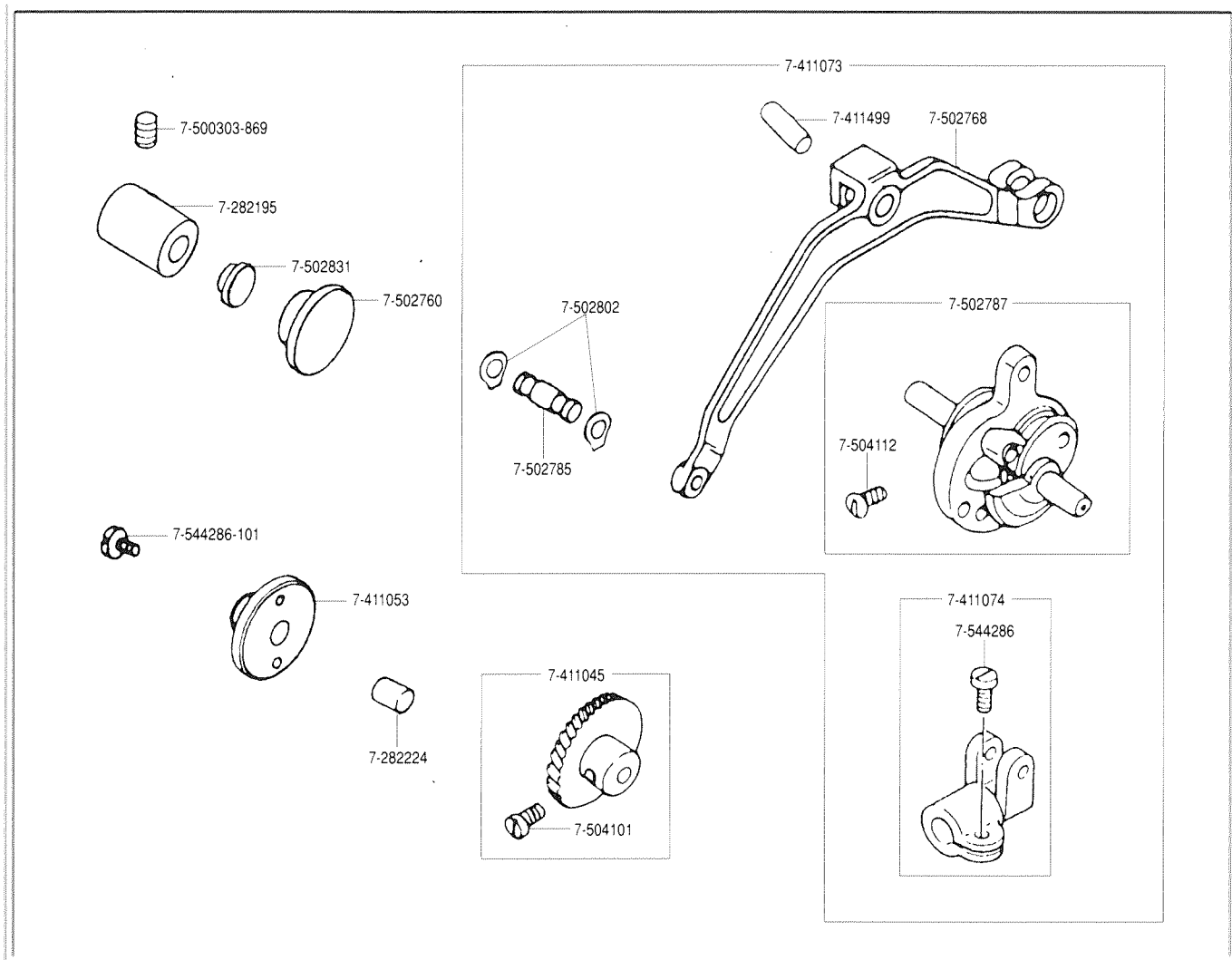
# NEEDLE BAR CONNECTING LINK (FOR 135L/143N-L)



PART NO.	DESCRIPTION	PART NO.	DESCRIPTION
6-1664-850	NEEDLE VIBRATING CAM ROLLER STUD (ECC.) NUT	6-502959	NEEDLE VIBRATING CAM ROLLER GUIDE (CPL.)
6-282195	NEEDLE VIBRATING CAM SHAFT BUSHING (FRONT)	6-502960	NEEDLE VIBRATING CAM ROLLER
6-282224	NEEDLE VIBRATING CAM SHAFT OIL HOLE PLUG	6-502961	NEEDLE VIBRATING CAM ROLLER STUD (ECC.) SPRING WASHER
6-411053	NEEDLE VIBRATING CAM SHAFT BUSHING (BACK)	6-502963	NEEDLE VIBRATING CAM ROLLER STUD (ECC.) WASHER
6-411074	NEEDLE BAR CONN. LINK HINGE BEARING (CPL.)	6-502964	NEEDLE VIBRATING CAM ROLLER NEEDLE BEARING CAGE
6-411146	NEEDLE VIBRATING CAM (CPL.)	6-502966	NEEDLE VIBRATING CAM SHAFT SLIDE BLOCK
6-411168	NEEDLE BAR CONN. LINK (CPL.)	6-502968	NEEDLE VIBRATING CAM SHAFT
6-411169	NEEDLE VIBRATING CAM ROLLER STUD (ECC.)	6-502990	NEEDLE VIBRATING CAM ROLLER STUD SPRING WASHER
6-411174	NEEDLE VIBRATING WORM WHEEL (CPL.)	6-509050	NEEDLE VIBRATING CAM SHAFT BUSHING (BACK) SPACER
6-500303-869	NEEDLE VIBRATING CAM SHAFT BUSHING (FRONT) SCREW	6-544286	NEEDLE BAR CONN. LINK HINGE BEARING SCREW
6-502760	NEEDLE VIBRATING CAM SHAFT BUSHING (FRONT) CAP	6-544288	NEEDLE VIBRATING CAM SHAFT BUSHING (BACK) SCREW
6-502785	NEEDLE BAR CONN. LINK HINGE STUD	6-544307	NEEDLE VIBRATING WORM WHEEL SCREW
6-502802	NEEDLE BAR CONN. LINK HINGE STUD SNAP RING	6-545136-452	NEEDLE VIBRATING CAM SET SCREW
6-502831	NEEDLE VIBRATING CAM SHAFT BUSHING (FRONT) PLUG	6-545249-452	NEEDLE VIBRATING WORM WHEEL DISC SCREW
6-502957	NEEDLE BAR CONN. LINK		
6-502958	NEEDLE BAR YOKE CONN. LINK SNAP RING		

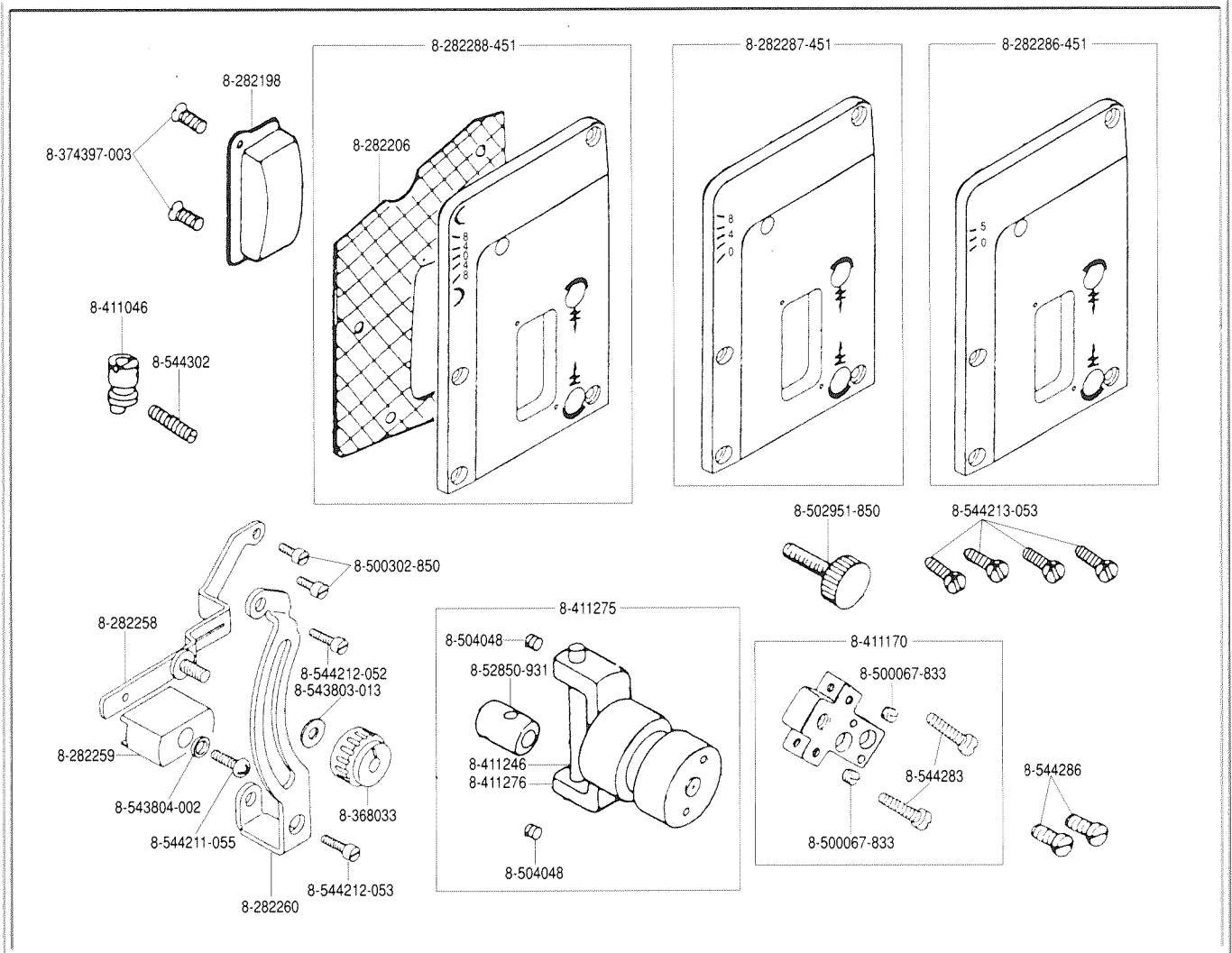


# NEEDLE BAR CONNECTING LINK (FOR 105L/125L)



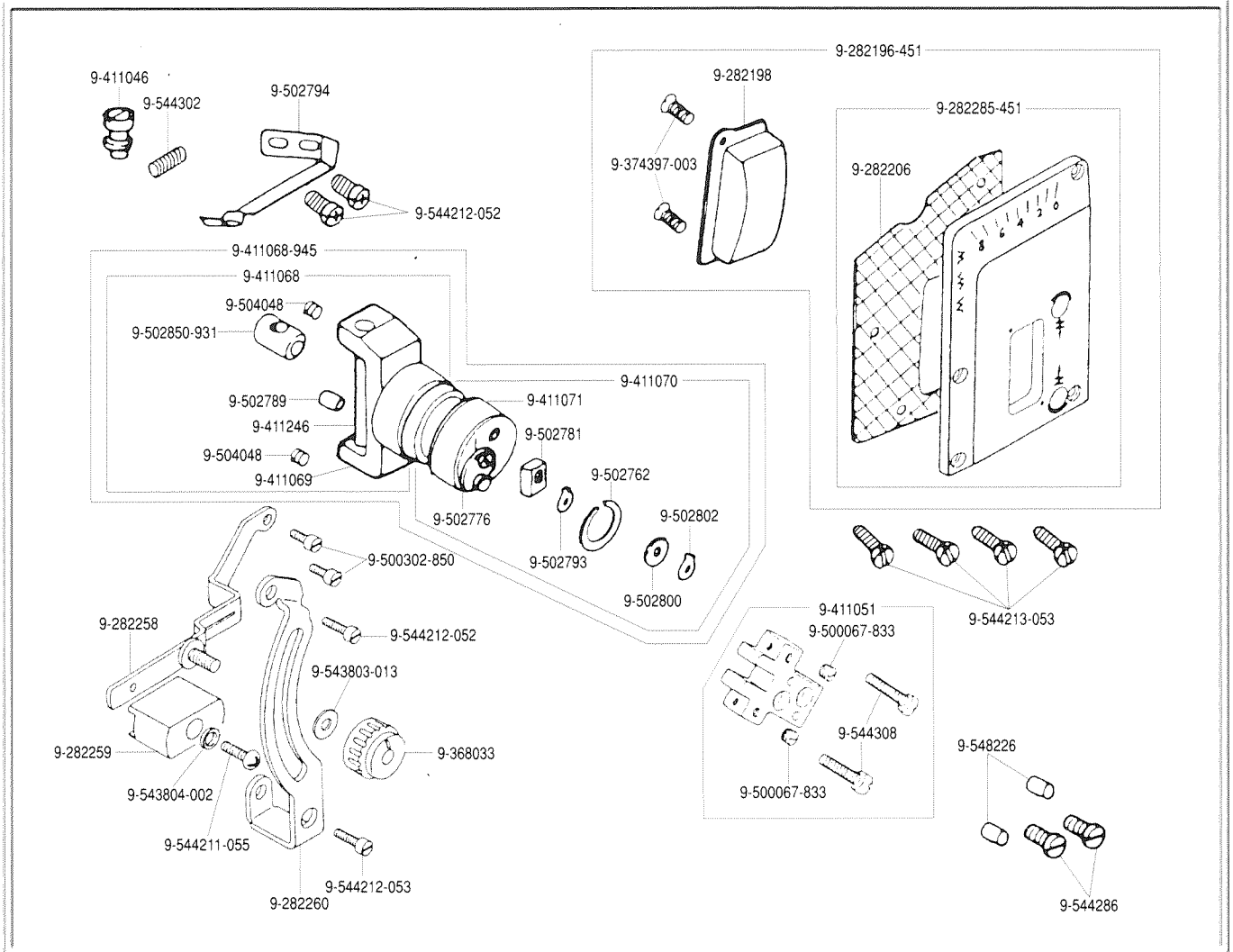
PART NO.	DESCRIPTION	PART NO.	DESCRIPTION
7-282195	NEEDLE VIBRATING CAM SHAFT BUSHING (FRONT)	7-502768	NEEDLE BAR CONN. LINK
7-282224	NEEDLE VIBRATING CAM SHAFT OIL HOLE PLUG	7-502785	NEEDLE BAR CONN. LINK HINGE STUD
7-411045	NEEDLE VIBRATING ECC. SHAFT GEAR (CPL.)	7-502787	NEEDLE VIBRATING ECC. SHAFT (CPL.)
7-411053	NEEDLE VIBRATING CAM SHAFT BUSHING (BACK)	7-502802	NEEDLE BAR CONN. LINK HINGE STUD SNAP RING
7-411073	NEEDLE BAR CONN. LINK (CPL.)	7-502831	NEEDLE VIBRATING CAM SHAFT BUSHING (FRONT) PLUG
7-411074	NEEDLE BAR CONN. LINK HINGE BEARING (CPL.)	7-504101	NEEDLE VIBRATING ECC. SHAFT GEAR SET SCREW
7-411499	NEEDLE BAR CONN. LINK STUD	7-504112	NEEDLE BAR CONN. LINK STUD SCREW
7-500303-869	NEEDLE VIBRATING CAM SHAFT BUSHING (FRONT) SCREW	7-544286	NEEDLE BAR CONN. LINK HINGE BEARING SCREW
7-502760	NEEDLE VIBRATING CAM SHAFT BUSHING (FRONT) CAP	7-544286-101	NEEDLE VIBRATING CAM SHAFT BUSHING (BACK)SCREW

# NEEDLE VIBRATING YOKE CONNECTING LINK CARRIER FRAME (CPL.) (FOR 125L, 135L, 143N-L)



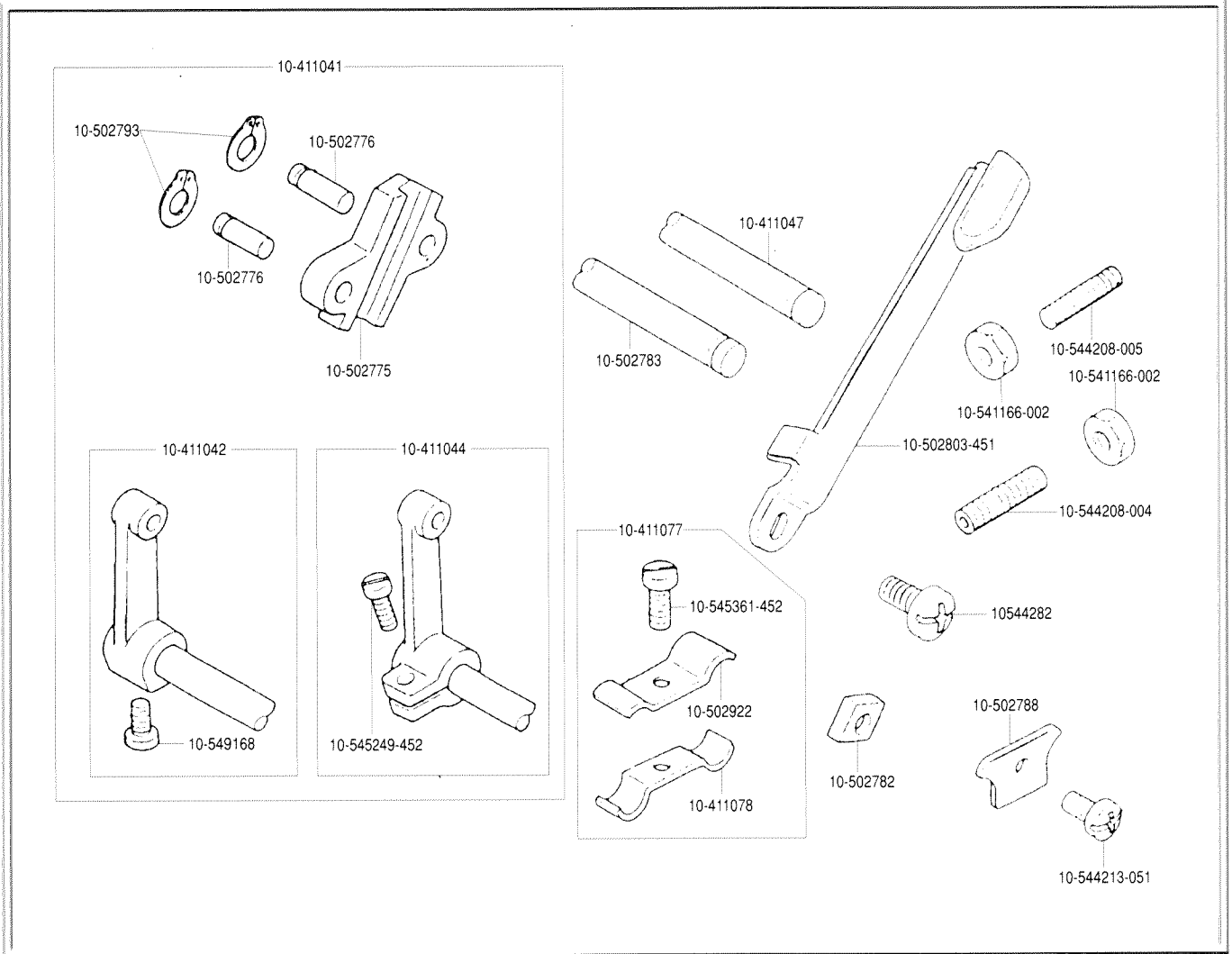
PART NO.	DESCRIPTION	PART NO.	DESCRIPTION
8-282198	STITCH LENGTH INDICATOR PLATE WINDOW	8-500302-850	NEEDLE POSITION ADJ. ECC. STOP SCREW
8-282204-451	ARM COVER (FRONT)(CPL.)	8-502850-931	NEEDLE VIBRATING YOKE CONN. LINK SLIDE BEARING
8-282206	ARM COVER (FRONT) GASKET	8-502951-850	NEEDLE POSITION ADJUSTING CAM SET SCREW
8-282258	NEEDLE POSITION (FINE POSITION) ADJ. LEVER (CPL.)	8-504048	NEEDLE VIBRATING YOKE CONN. LINK CARRIER FRAME
8-282259	NEEDLE POSITION (FINE POSITION) ADJ. LEVER KNOB		SLIDE STUD SET SCREW
8-282260	NEEDLE POSITION (FINE POSITION) ADJ. LEVER LOCKING BRACKET	8-543803-013	NEEDLE POSITION (FINE POSITION) ADJ. LEVER LOCKING KNOB. WASHER
8-282286-451	ARM COVER (FRONT), GASKET (CPL.) FOR 125L	8-543804-002	NEEDLE POSITION (FINE POSITION) ADJ. LEVER KNOB. SCREW WASHER
8-282287-451	ARM COVER (FRONT), GASKET (CPL.) FOR 135L	8-544211-055	NEEDLE POSITION (FINE POSITION) ADJ. LEVER KNOB. SCREW
8-282288-451	ARM COVER (FRONT), GASKET (CPL.) FOR 143N-L	8-544212-052	NEEDLE POSITION ADJ. ECC.POSITION SPRING SCREW
8-368033	NEEDLE POSITION (FINE POSITION) ADJ. LEVER LOCKING KNOB	8-544212-053	NEEDLE POSITION (FINE POSITION) ADJ. LEVER LOCKING BRACKET SCREW
8-374397-003	STITCH LENGTH INDICATOR PLATE WINDOW SCREW	8-544213-053	ARM COVER (FRONT) SCREW
8-411046	NEEDLE POSITION ADJ. CAM REGULATING STUD	8-544283	NEEDLE POSITION ADJ. CAM STOP SCREW
8-411170	NEEDLE POSITION ADJ. ECC. SLIDE BLOCK BRACKET (CPL.)	8-544286	NEEDLE POSITION ADJ. ECC. SLIDE BLOCK BRACKET SCREW
8-411246	NEEDLE VIBRATING YOKE CONN. LINK SLIDE STUD		
8-411275	NEEDLE VIBRATING YOKE CONN. LINK CARRIER FRAME, BLOCK (CPL.)	8-544302	NEEDLE POSITION ADJ. CAM REGULATING STUD SET SCREW
8-411276	NEEDLE VIBRATING YOKE CONN. LINK CARRIER FRAME (CPL.)		
8-500067-833	NEEDLE POSITION ADJ. CAM STOP SCREW SET SCREW		

# NEEDLE VIBRATING YOKE CONNECTING LINK CARRIER FRAME (CPL) (FOR 105L)



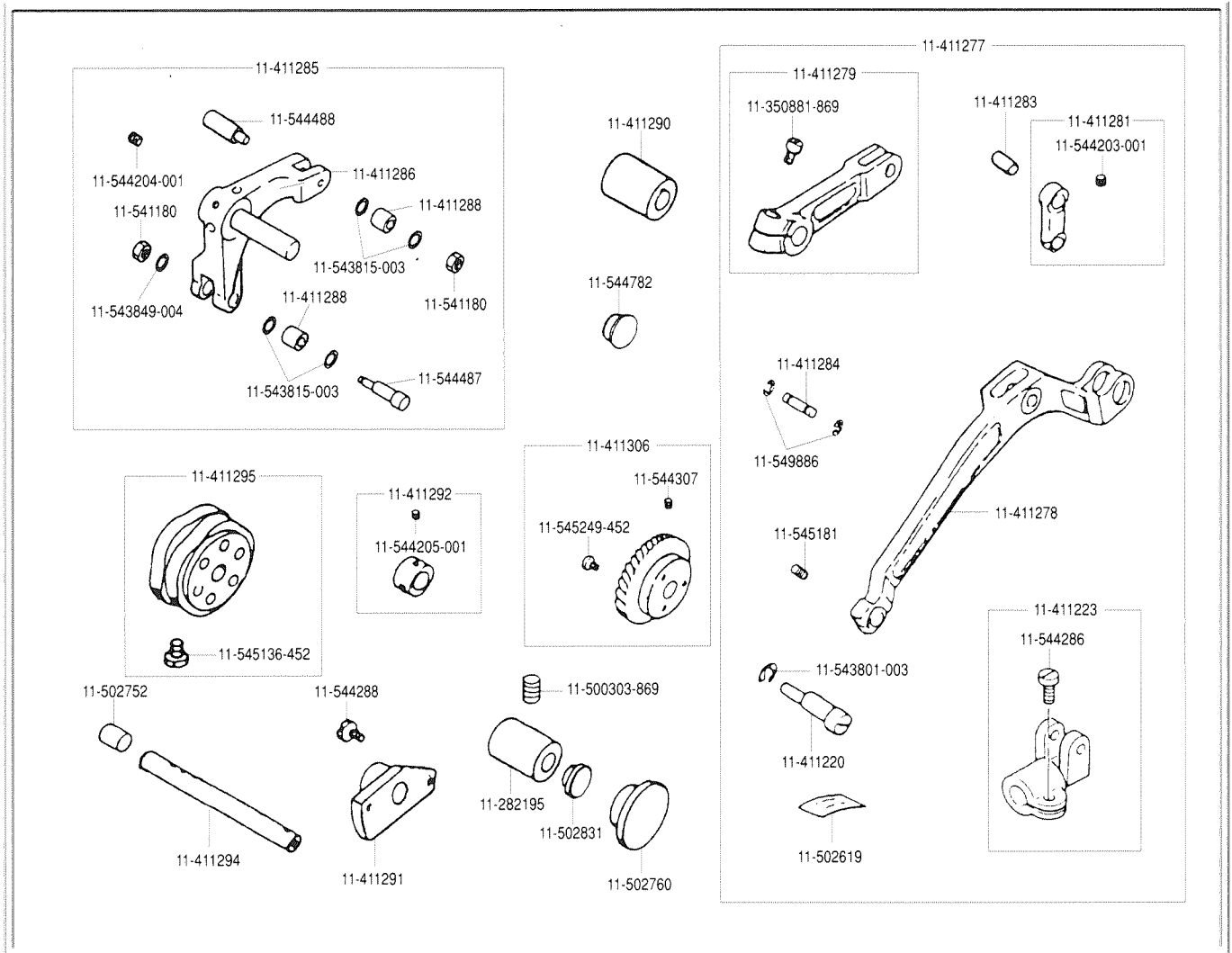
PART NO.	DESCRIPTION	PART NO.	DESCRIPTION
9-282196-451	ARM COVER (FRONT) (CPL.)	9-502789	NEEDLE VIBRATING YOKE CONN. LINK CARRIER FRAME STUD
9-282198	STITCH LENGTH INDICATOR PLATE WINDOW	9-502793	NEEDLE POSITION ADJ. ECC. BUSHING (SMALL) SLIDE BLOCK STUD RING
9-282206	ARM COVER (FRONT) GASKET	9-502794	NEEDLE POSITION ADJ. ECC. POSITION SPRING
9-282258	NEEDLE POSITION (FINE POSITION) ADJ. LEVER (CPL.)	9-502800	NEEDLE VIBRATING YOKE CONN. LINK CARRIER FRAME CUP SPRING
9-282259	NEEDLE POSITION (FINE POSITION) ADJ. LEVER KNOB.	9-502802	NEEDLE VIBRATING YOKE CONN. LINK CARRIER FRAME SNAP RING
9-282260	NEEDLE POSITION (FINE POSITION) ADJ. LEVER LOCKING BRACKET	9-502850-931	NEEDLE VIBRATING YOKE CONN. LINK SLIDE BEARING
9-282285-451	ARM COVER (FRONT), GASKET (CPL.)	9-504048	NEEDLE VIBRATING YOKE CONN. LINK CARRIER FRAME SLIDE STUD SET SCREW
9-368033	NEEDLE POSITION (FINE POSITION) ADJ. LEVER LOCKING KNOB.	9-543803-013	NEEDLE POSITION (FINE POSITION) ADJ. LEVER LOCKING KNOB, WASHER
9-374397-003	STITCH LENGTH INDICATOR PLATE WINDOW SCREW	9-543804-002	NEEDLE POSITION (FINE POSITION) ADJ. LEVER KNOB, SCREW WASHER
9-411046	NEEDLE POSITION ADJ. CAM REGULATING STUD	9-544211-055	NEEDLE POSITION (FINE POSITION) ADJ. LEVER KNOB, SCREW
9-411051	NEEDLE POSITION ADJ. ECC. SLIDE BLOCK BRACKET (CPL.)	9-544212-052	NEEDLE POSITION ADJ. ECC. POSITION SPRING SCREW
9-411068	NEEDLE VIBRATING YOKE CONN. LINK CARRIER FRAME (CPL.)	9-544212-053	NEEDLE POSITION (FINE POSITION) ADJ. LEVER LOCKING BRACKET SCREW
9-411068-945	NEEDLE VIBRATING YOKE CONN. CARRIER FRAME ADJ. BUSHING (CPL.)	9-544213-053	ARM COVER (FRONT) SCREW
9-411069	NEEDLE VIBRATING YOKE CONN. LINK CARRIER FRAME	9-544302	NEEDLE POSITION ADJ. CAM REGULATING STUD SET SCREW
9-411070	NEEDLE POSITION ADJ. ECC. (CPL.)	9-544286	NEEDLE POSITION ADJ. ECC. SLIDE BLOCK BRACKET SCREW
9-411071	NEEDLE POSITION ADJ. ECC. BUSHING (LARGE), (SMALL) (CPL.)	9-544308	NEEDLE POSITION ADJ. CAM STOP SCREW
9-411246	NEEDLE VIBRATING YOKE CONN. LINK SLIDE STUD	9-548226	NEEDLE POSITION ADJ. ECC. SLIDE BLOCK BRACKET POSITION PIN
9-500067-833	NEEDLE POSITION ADJ. CAM STOP SCREW SET SCREW		
9-500302-850	NEEDLE POSITION ADJ. ECC. STOP SCREW		
9-502762	NEEDLE POSITION ADJ. ECC. BUSHING (SMALL) SNAP RING		
9-502776	NEEDLE POSITION ADJ. BUSHING (SMALL) SLIDE BLOCK STUD		
9-502781	NEEDLE POSITION ADJ. ECC. BUSHING (SMALL) SLIDE BLOCK		

# NEEDLE VIBRATING ADJUSTING BRACKET (FOR 105L)



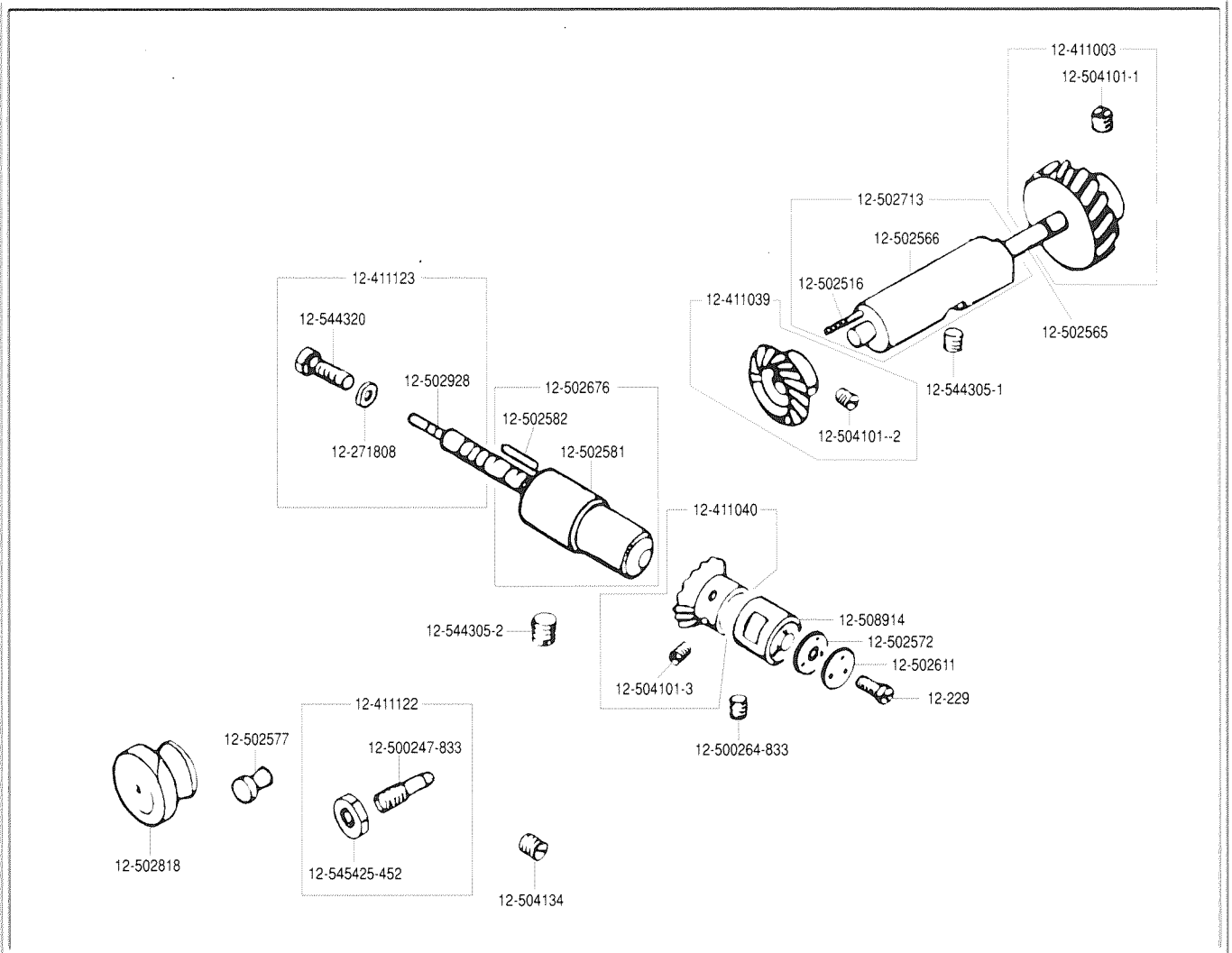
PART NO.	DESCRIPTION	PART NO.	DESCRIPTION
10-411041	NEEDLE VIBRATING ADJ. BRACKET (CPL.)	10-502793	NEEDLE BAR YOKE CONN. LINK STUD SNAP RING
10-411042	NEEDLE VIBRATING ADJ. GUIDE CRANK (CPL.)	10-502803-451	NEEDLE VIBRATING ADJ. LEVER (CPL.)
10-411044	NEEDLE VIBRATING ADJ. CRANK (CPL.)	10-502922	NEEDLE VIBRATING ADJ. SHAFT CLAMPING BRACKET (UPPER)
10-411047	NEEDLE VIBRATING ADJ. CRANK SHAFT	10-541166-002	NEEDLE VIBRATING ADJ. LEVER STOP SCREW NUT
10-411077	NEEDLE VIBRATING ADJ. SHAFT CLAMPING BRACKET (CPL.)	10-544208-004	NEEDLE VIBRATING ADJ. LEVER STOP SCREW (LEFT)
10-411078	NEEDLE VIBRATING ADJ. SHAFT CLAMPING BRACKET (LOWER)	10-544208-005	NEEDLE VIBRATING ADJ. LEVER STOP SCREW (RIGHT)
10-502775	NEEDLE VIBRATING ADJ. BRACKET	10-544213-051	NEEDLE VIBRATING ADJ. SHAFT RETAINER SCREW
10-502776	NEEDLE POSITION ADJ. ECC. BUSHING (SMALL) SLIDE BLOCK STUD	10-544282	NEEDLE VIBRATING ADJ. LEVER SCREW
10-502782	NEEDLE VIBRATING ADJ. BRACKET SLIDE BLOCK	10-545249-452	NEEDLE VIBRATING CRANK PINCH SCREW
10-502783	NEEDLE VIBRATING ADJ. GUIDE CRANK SHAFT	10-545361-452	NEEDLE VIBRATING ADJ. SHAFT CLAMPING BRACKET SCREW
10-502788	NEEDLE VIBRATING ADJ. SHAFT RETAINER		

# NEEDLE BAR CONNECTING LINK (FOR 143N-L)



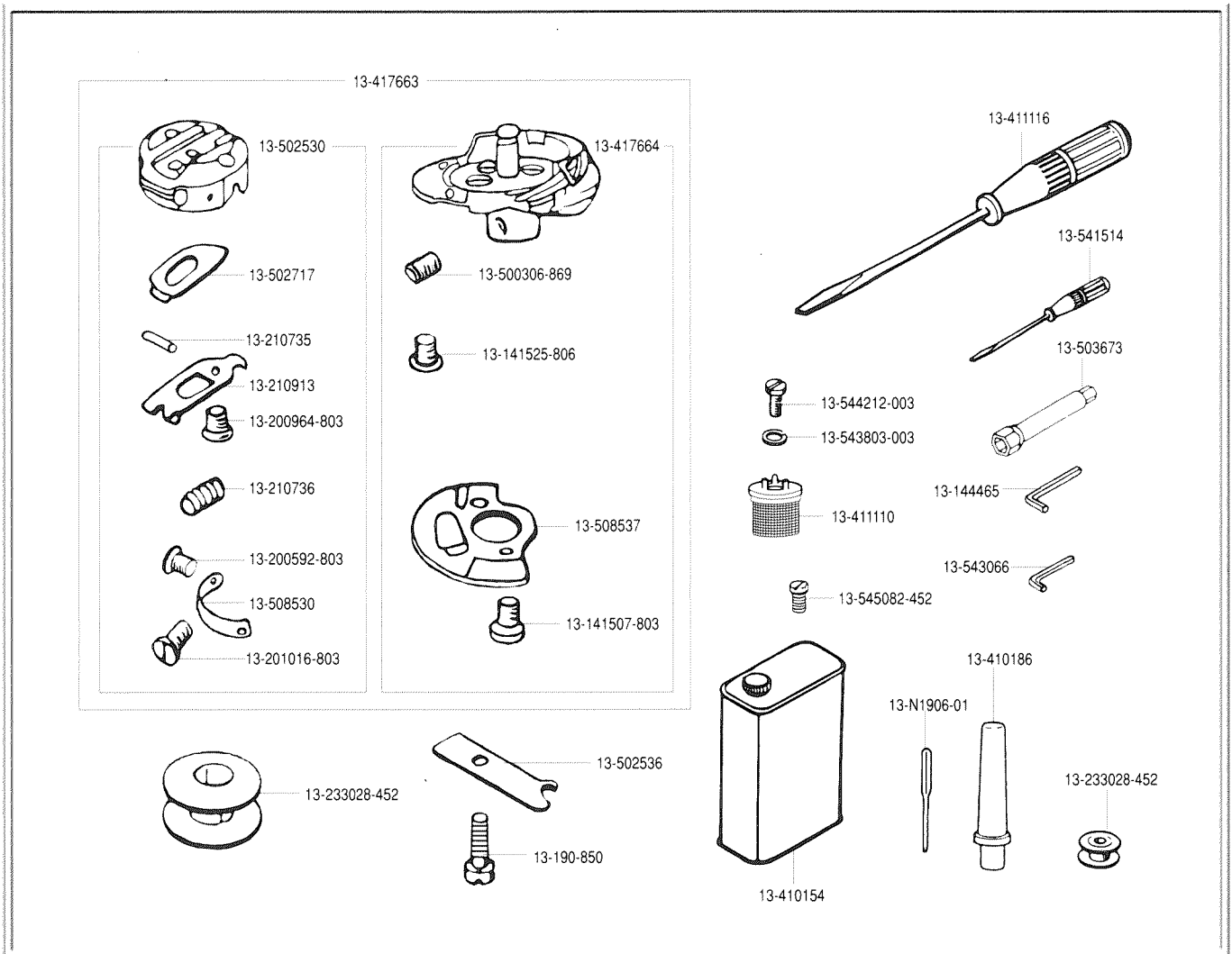
PART NO.	DESCRIPTION	PART NO.	DESCRIPTION
11-282195	NEEDLE VIBRATING CAM SHAFT BUSHING (FRONT)	11-502760	NEEDLE VIBRATING CAM SHAFT BUSHING (FRONT) CAP
11-350881-869	NEEDLE BAR CONN. LINK DRIVING LEVER SCREW	11-502831	NEEDLE VIBRATING CAM SHAFT BUSHING (FRONT) PLUG
11-411220	NEEDLE BAR CONN. LINK HINGE STUD (ECC.)	11-541180	Z/Z CAM FOLLOWER ROLLER HINGE STUD NUT
11-411223	NEEDLE BAR CONN. LINK HINGE BEARING (CPL.)	11-543801-003	NEEDLE BAR CONN. LINK HINGE STUD SNAP RING
11-411277	NEEDLE BAR CONN. LINK (CPL.)	11-543815-003	Z/Z CAM FOLLOWER ROLLER THRUST WASHER
11-411278	NEEDLE BAR CONN. LINK	11-543849-004	Z/Z CAM FOLLOWER ROLLER HINGE STUD (ECC.) WASHER
11-411279	NEEDLE BAR CONN. LINK DRIVING LEVER (CPL.)	11-544203-001	NEEDLE BAR CONN. LINK DRIVING LEVER LINK PIN SET SCREW
11-411281	NEEDLE BAR CONN. LINK DRIVING LEVER LINK (CPL.)	11-544204-001	Z/Z CAM FOLLOWER LEVER SET SCREW
11-411283	NEEDLE BAR CONN. LINK DRIVING LEVER LINK PIN (UPPER)	11-544205-001	NEEDLE VIBRATING CAM SHAFT COLLER SET SCREW
11-411284	NEEDLE BAR CONN. LINK DRIVING LEVER LINK PIN (LOWER)	11-544286	NEEDLE BAR CONN. LINK HINGE BEARING SCREW
11-411285	Z/Z CAM FOLLOWER LEVER SHAFT (CPL.)	11-544288	NEEDLE VIBRATING CAM SHAFT BUSHING (BACK) SCREW
11-411286	Z/Z CAM FOLLOWER LEVER (CPL.)	11-544307	NEEDLE VIBRATING WORM WHEEL SCREW
11-411288	Z/Z CAM FOLLOWER ROLLER	11-544487	Z/Z CAM FOLLOWER ROLLER HINGE STUD (ECC.)
11-411290	Z/Z CAM FOLLOWER LEVER SHAFT BUSHING	11-544488	Z/Z CAM FOLLOWER ROLLER HINGE STUD
11-411291	NEEDLE VIBRATING CAM SHAFT BUSHING (BACK)	11-544782	NEEDLE POSITION FINE ADJ. HOLE PLUG
11-411292	NEEDLE VIBRATING CAM SHAFT COLLER (CPL.)	11-545136-452	NEEDLE VIBRATING CAM SET SCREW
11-411294	NEEDLE VIBRATING CAM SHAFT	11-545181	NEEDLE BAR CONN. LINK HINGE STUD SCREW
11-411295	NEEDLE VIBRATING CAM (CPL.)	11-545249-452	NEEDLE VIBRATING WORM WHEEL DISC SCREW
11-411306	NEEDLE VIBRATING WORM WHEEL (CPL.)	11-549886	NEEDLE BAR CONN. LINK DRIVING LEVER LINK PIN (LOWER) RETAINING RING
11-500303-869	NEEDLE VIBRATING CAM SHAFT BUSHING (FRONT) SCREW		
11-502619	NEEDLE BAR CONN. LINK HINGE BEARING FELT		
11-502752	NEEDLE VIBRATING CAM SHAFT OIL HOLE PLUG		

# HOOK SHAFT, BEVEL GEAR



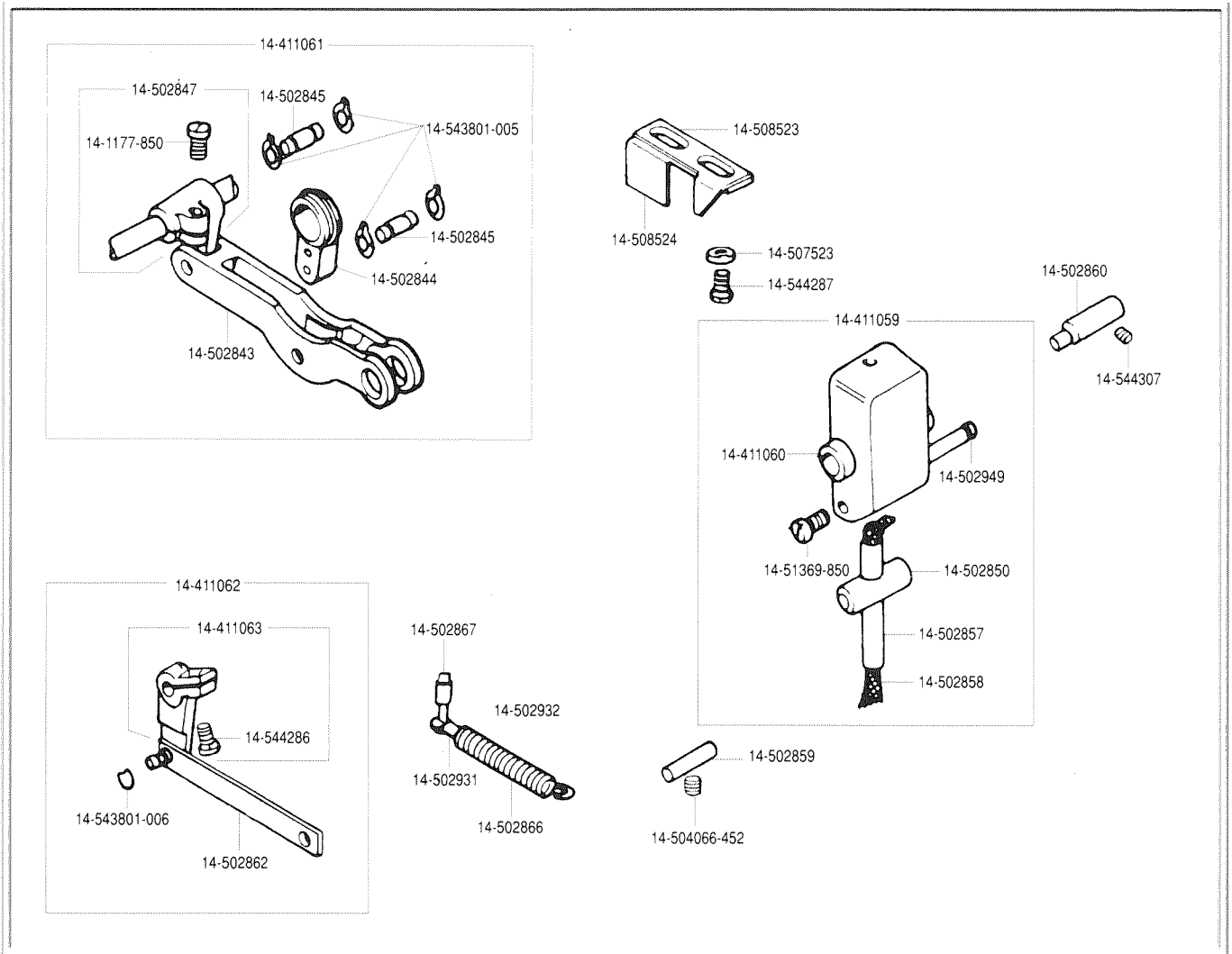
PART NO.	DESCRIPTION	PART NO.	DESCRIPTION
12-229	HOOK SHAFT BUSHING (FRONT) CAP SCREW (3)	12-502582	HOOK SHAFT BUSHING (BACK)WICK
12-271808	HOOK SHAFT OIL FILTER WICK HOLDER SEAL	12-502611	HOOK SHAFT BUSHING CAP
12-411003	HOOK DRIVING SHAFT HELICAL GEAR WITH TWO 12-504101-1	12-502676	HOOK SHAFT BUSHING (BACK) CPL. NOS., 12-502581 AND 12-502582
12-411039	HOOK DRIVING SHAFT BEVEL GEAR WITH TWO 12-504101-2	12-502713	HOOK DRIVING SHAFT BUSHING CPL. NOS., 12-502516 AND 12-502566
12-411040	HOOK SHAFT BEVEL GEAR WITH TWO 12-504101-3	12-502818	HOOK SHAFT GEAR BOX VENT CAP
12-411122	HOOK OIL REGULATING SCREW CPL. NOS., 12-500247 AND 12-545425-452	12-502928	HOOK SHAFT OIL FILTER FELT
12-411123	HOOK SHAFT WITH 12-271808, 12-502928 AND 12-544320	12-504101-1	HOOK DRIVING SHAFT HELICAL GEAR SET SCREW (2)
12-500247-833	HOOK OIL REGULATING SCREW	12-504101-2	HOOK DRIVING SHAFT BEVEL GEAR SET SCREW (2)
12-500264-833	HOOK SHAFT BUSHING (FRONT) SET SCREW	12-504101-3	HOOK SHAFT BEVEL GEAR SET SCREW (2)
12-502516	HOOK DRIVING SHAFT BUSHING WICK	12-504134	HOOK OIL BYPASS PLUG SCREW
12-502565	HOOK DRIVING SHAFT	12-508914	HOOK SHAFT BUSHING (FRONT)
12-502566	HOOK DRIVING SHAFT BUSHING	12-544305-1	HOOK DRIVING SHAFT BUSHING SET SCREW
12-502572	HOOK SHAFT BUSHING CAP GASKET	12-544305-2	HOOK SHAFT BUSHING (BACK) SET SCREW
12-502577	HOOK SHAFT GEAR BOX PLUG	12-544320	HOOK SHAFT OIL FILTER WICK HOLDER
12-502581	HOOK SHAFT BUSHING (BACK)	12-545425-452	HOOK OIL REGULATING SCREW LOCK NUT

# HOOK, BOBBIN CASE & ACCESSORIES



PART NO.	DESCRIPTION	PART NO.	DESCRIPTION
13-190-850	BOBBIN CASE STOP SCREW	13-417664	HOOK WITH 13-141507-803, 13-508537, TWO 13-500306-869, AND THREE 13-141525-806
13-N1906-01	SCHMETZ NEEDLE DPX5 (135X5) #10	13-500306-869	HOOK SET SCREW (2)
13-141507-803	HOOK NEEDLE GUARD AND COUNTERBALANCE SCREW	13-502530	BOBBIN CASE CAP WITH 13-200592-803, 13-200964-803, 13-201016-803, 13-210735, 13-210736, 13-210913, 13-502717 AND 13-508530
13-141525-806	HOOK GIB SCREW (3)	13-502536	BOBBIN CASE STOP
13-144465	WRENCH (1/8 INCH HEXAGON)	13-502717	BOBBIN CASE LATCH LEVER
13-200592-803	BOBBIN CASE CAP TENSION SPRING SCREW	13-503673	SOCKET WRENCH
13-200964-803	BOBBIN CASE LATCH STOP SCREW	13-508530	BOBBIN CASE CAP TENSION SPRING
13-201016-803	BOBBIN CASE CAP TENSION SPRING REGULATING SCREW	13-508537	HOOK NEEDLE GUARD AND COUNTERBALANCE
13-210735	BOBBIN CASE FULCRUM PIN	13-541514	SCREW DRIVER (SMALL)
13-210736	BOBBIN CASE LATCH SPRING	13-543066	WRENCH (2mm HEXAGON)
13-210913	BOBBIN CASE LATCH	13-543803-003	MACHINE GROUNDING WIRE SCREW WASHER
13-233028-452	BOBBIN	13-544212-003	MACHINE GROUNDING WIRE SCREW
13-410154	OIL CAN (750CC, FILLED WITH SINGER TYPE "C" OIL)	13-545082-452	ATTACHMENT SCREW
13-410186	MACHINE REST PIN		
13-411110	OIL FILTER		
13-411116	SCREW DRIVER (LARGE)		
13-417663	HOOK AND BOBBIN CASE CPL. NOS., 13-502530 AND 13-417664		

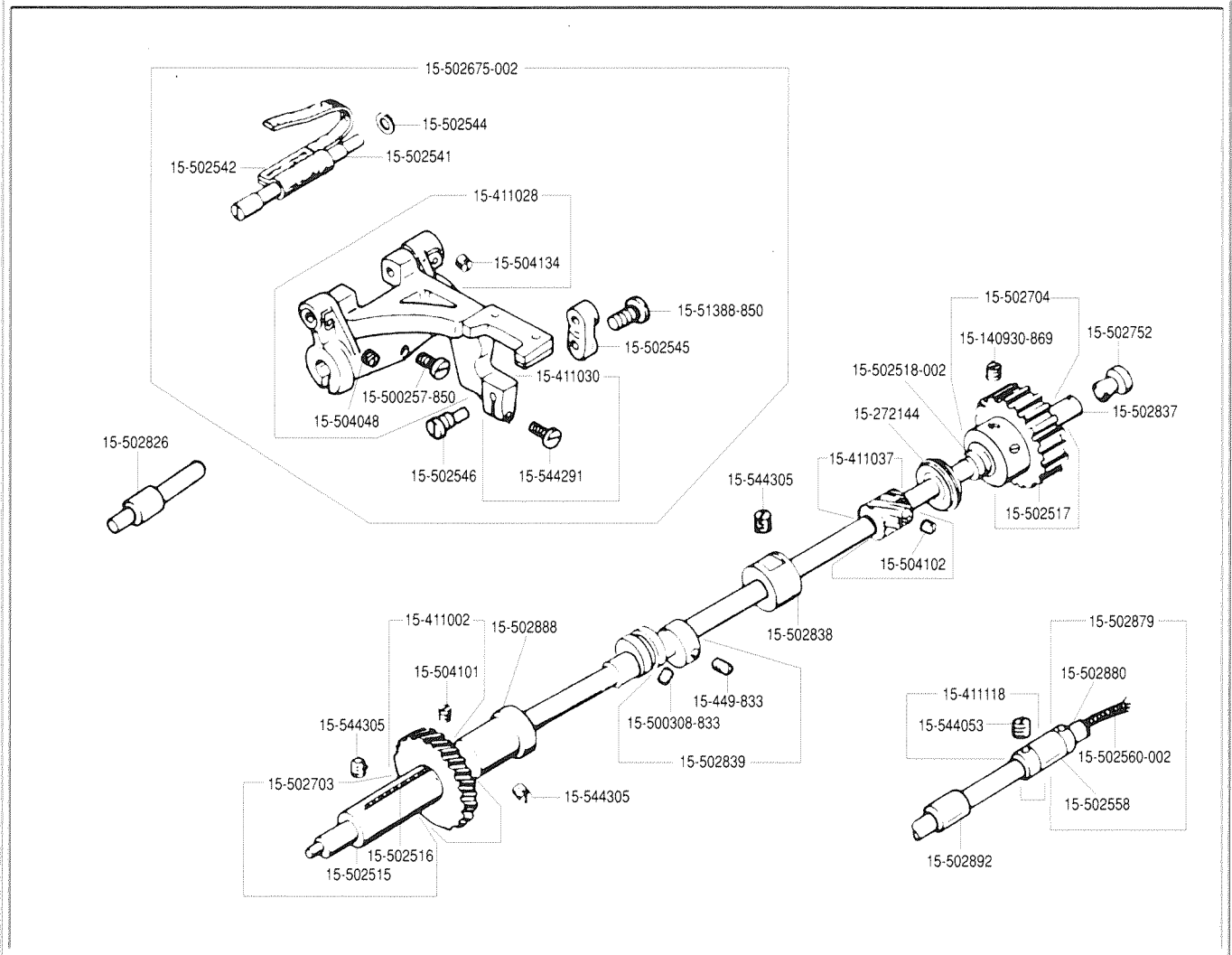
# FEED DRIVING CONNECTION, CARRIER FRAME



PART NO.	DESCRIPTION	PART NO.	DESCRIPTION
14- 1177-850	FEED DRIVING CONNECTION CRANK PINCH SCREW	14-502866	FEED DRIVING CONNECTION CARRIER FRAME SPRING
14- 51369-850	FEED DRIVING CONNECTION CARRIER FRAME SLIDE STUD. SET SCREW	14-502867	FEED DRIVING CONNECTION CARRIER FRAME SPRING STUD (BED SIDE)
14-411059	FEED DRIVING CONNECTION CARRIER FRAME CPL. NOS., 14-51369, 14-411060, 14-502850, 14-502857, 14-502858 AND 14-502949	14-502931	FEED DRIVING CONNECTION CARRIER FRAME SPRING RETAINER
14-411060	FEED DRIVING CONNECTION CARRIER FRAME	14-502932	FEED DRIVING CONNECTION CARRIER FRAME SPRING CPL. NOS., 14-502866 AND 14-502931
14-411061	FEED DRIVING CONNECTION CPL. NOS., 14-502843, 14-502844, 14-502847, TWO 14-502845 AND FOUR 14-543801-005	14-502949	FEED DRIVING CONNECTION CARRIER FRAME SPRING STUD
14-411062	FEED REGULATING CONNECTION SHAFT CRANK AND LINK CPL. NOS., 14-411063, 14-502862 AND 14-543801-006	14-504066-452	FEED DRIVING CONNECTION CARRIER FRAME STUD (LEFT) SET SCREW
14-411063	FEED REGULATING CONNECTION SHAFT CRANK WITH 14-544286	14-507523	FEED DRIVING CONNECTION CARRIER FRAME STOP SCREW WASHER (2)
14-502843	FEED DRIVING CONNECTION LEVER	14-508523	FEED DRIVING CONNECTION CARRIER FRAME STOP (BACK)
14-502844	FEED DRIVING CONNECT LINK	14-508524	FEED DRIVING CONNECTION CARRIER FRAME STOP (FRONT)
14-502845	FEED DRIVING CONNECTION LEVER HINGE (2)	14-543801-005	FEED DRIVING CONNECTION LEVER HINGE PIN RETAINER (4)
14-502847	FEED DRIVING CONNECTION CRANK WITH 14-1177-850	14-543801-006	FEED REGULATING CONNECTION SHAFT CRANK LINK RETAINING RING
14-502850	FEED DRIVING CONNECTION LEVER SLIDE BEARING	14-544286	FEED REGULATING CONNECTION SHAFT CRANK PINCH SCREW
14-502857	FEED DRIVING CONNECTION CARRIER FRAME SLIDE STUD	14-544287	FEED DRIVING CONNECTION CARRIER FRAME STOP SCREW (2)
14-502858	FEED DRIVING CONNECTION CARRIER FRAME SLID STUD OIL WICK	14-544307	FEED DRIVING CONNECTION CARRIER FRAME STOP (RIGHT) SET SCREW
14-502859	FEED DRIVING CONNECTION CARRIER FRAME BEARING STUD (LEFT)		
14-502860	FEED DRIVING CONNECTION CARRIER FRAME BEARING STUD (RIGHT)		
14-502862	FEED REGULATION CONNECTION SHAFT CRANK LINK		

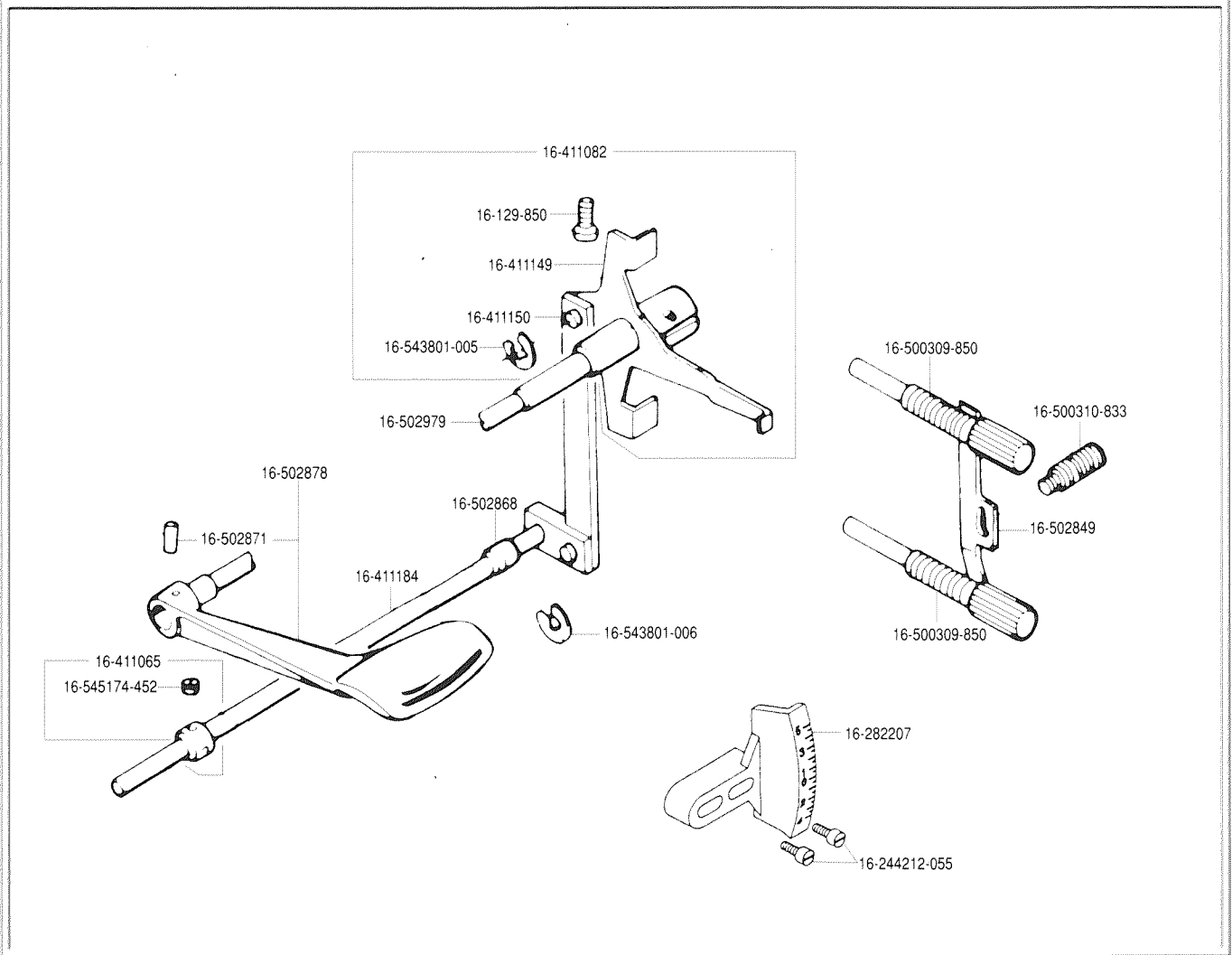


# BED SHAFT, FEED DRIVING ROCK SHAFT CRANK



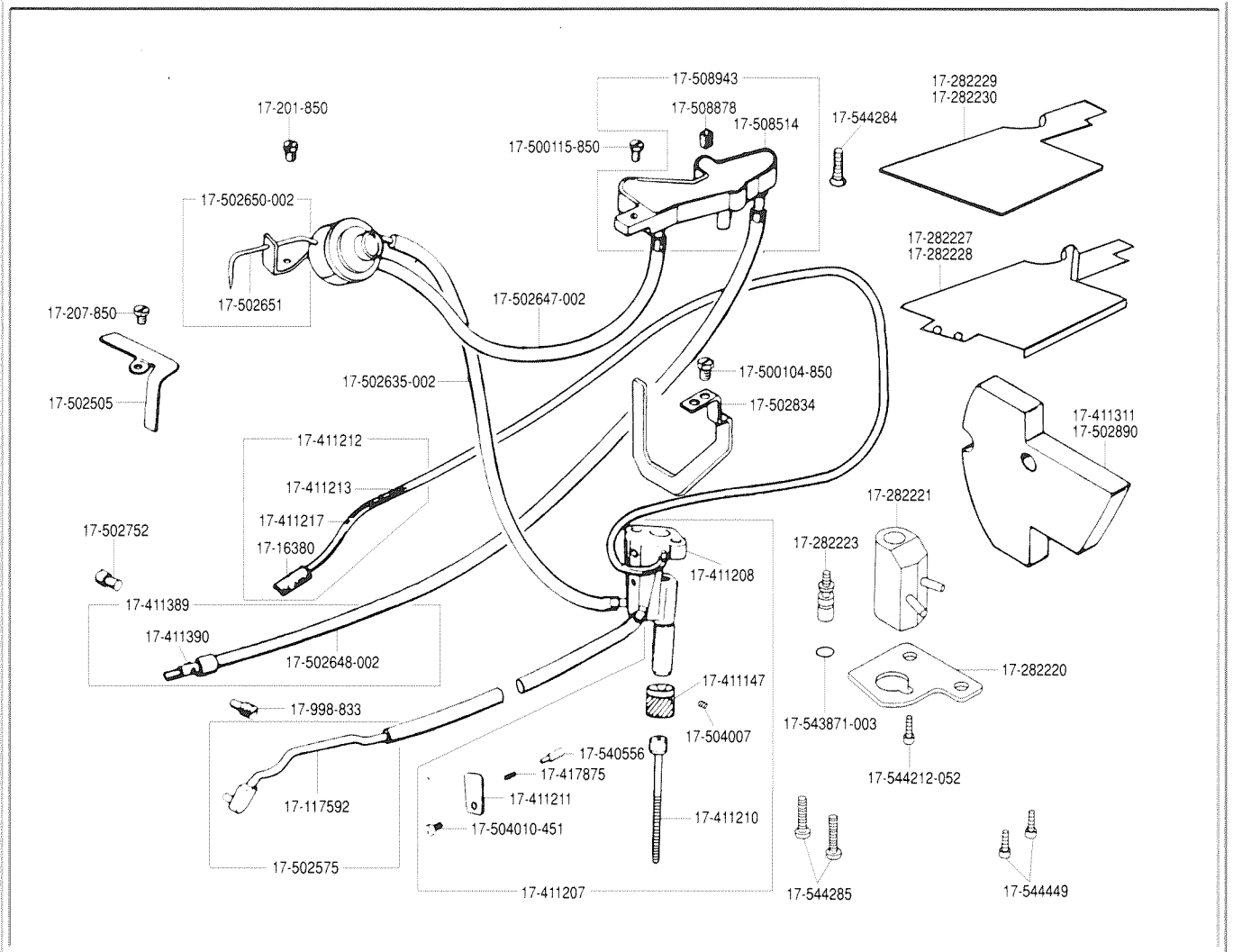
PART NO.	DESCRIPTION	PART NO.	DESCRIPTION
15- 449-833	FEED DRIVING ECCENTRIC SET SCREW	15-502675-002	FEED DRIVING ROCK SHAFT CRANK CPL. NOS., 15-51388, 15-411028, 15-411030, 15-502541, 15-502542, 15-502545, 15-502546 AND TWO 15-502544
15- 51388-850	FEED BAR LIFTING LINK PIN CAP SCREW	15-502703	BED SHAFT BUSHING (FRONT) CPL. NOS., 15-502515 AND 15-502516
15-140930-869	BED SHAFT CONNECTION BELT PULLEY SET SCREW (2)	15-502704	BED SHAFT CONNECTION BELT PULLEY CPL., NOS., 15-502517 AND TWO 15-140930-869
15-272144	BED SHAFT BALL BEARING	15-502752	BED SHAFT OIL HOLE PLUG
15-411002	BED SHAFT GEAR WITH TWO 15-504101	15-502826	FEED DRIVING ROCK SHAFT BUSHING (FRONT)
15-411028	FEED DRIVING ROCK SHAFT CRANK WITH 15-500257-850, 15-504048 AND 15-504134	15-502837	BED SHAFT
15-411030	FEED BAR WITH 15-544291	15-502838	BED SHAFT BUSHING (BACK)
15-411037	OIL PUMP DRIVING GEAR WITH TWO 15-504102	15-502839	FEED DRIVING ECCENTRIC WITH 15-449 AND 15-500308-833
15-411118	FEED DRIVING ROCK SHAFT COLLAR (2) WITH TWO 15-544053	15-502879	FEED DRIVING ROCK SHAFT CPL. NOS., 15-502560-002 AND 15-502880
15-500257-850	FEED DRIVING ROCK SHAFT CRANK PINCH SCREW	15-502880	FEED DRIVING ROCK SHAFT
15-500308-833	FEED DRIVING ECCENTRIC POSITION SCREW	15-502888	BED SHAFT BUSHING (CENTER)
15-502515	BED SHAFT BUSHING (FRONT)	15-502892	FEED DRIVING ROCK SHAFT BUSHING (CENTER)
15-502516	BED SHAFT BUSHING (FRONT) OIL WICK	15-504048	FEED BAR HINGE PIN SET SCREW (SHORT)
15-502517	BED CONNECTION BELT PULLEY	15-504101	BED SHAFT GEAR SET SCREW (2)
15-502518-002	BED CONNECTION BELT PULLEY SPACER	15-504102	OIL PUMP DRIVING GEAR SET SCREW (2)
15-502541	FEED BAR HINGE PIN	15-504134	FEED BAR HINGE PIN SET SCREW (LONG)
15-502542	FEED BAR HINGE PIN OILING FELT	15-544053	FEED DRIVING SHAFT COLLAR SET SCREW (4)
15-502544	FEED BAR HINGE PIN THRUST WASHER (2)	15-544291	FEED BAR LIFTING LINK HINGE PIN
15-502545	FEED BAR LIFTING LINK	15-544305	BED SHAFT BUSHING SET SCREW (3)
15-502546	FEED BAR LIFTING LINK HINGE PIN		
15-502558	FEED DRIVING ROCK SHAFT BUSHING (BACK)		
15-502560-002	FEED DRIVING ROCK SHAFT OIL WICK		

# FEED REGULATING INDICATOR, LINK



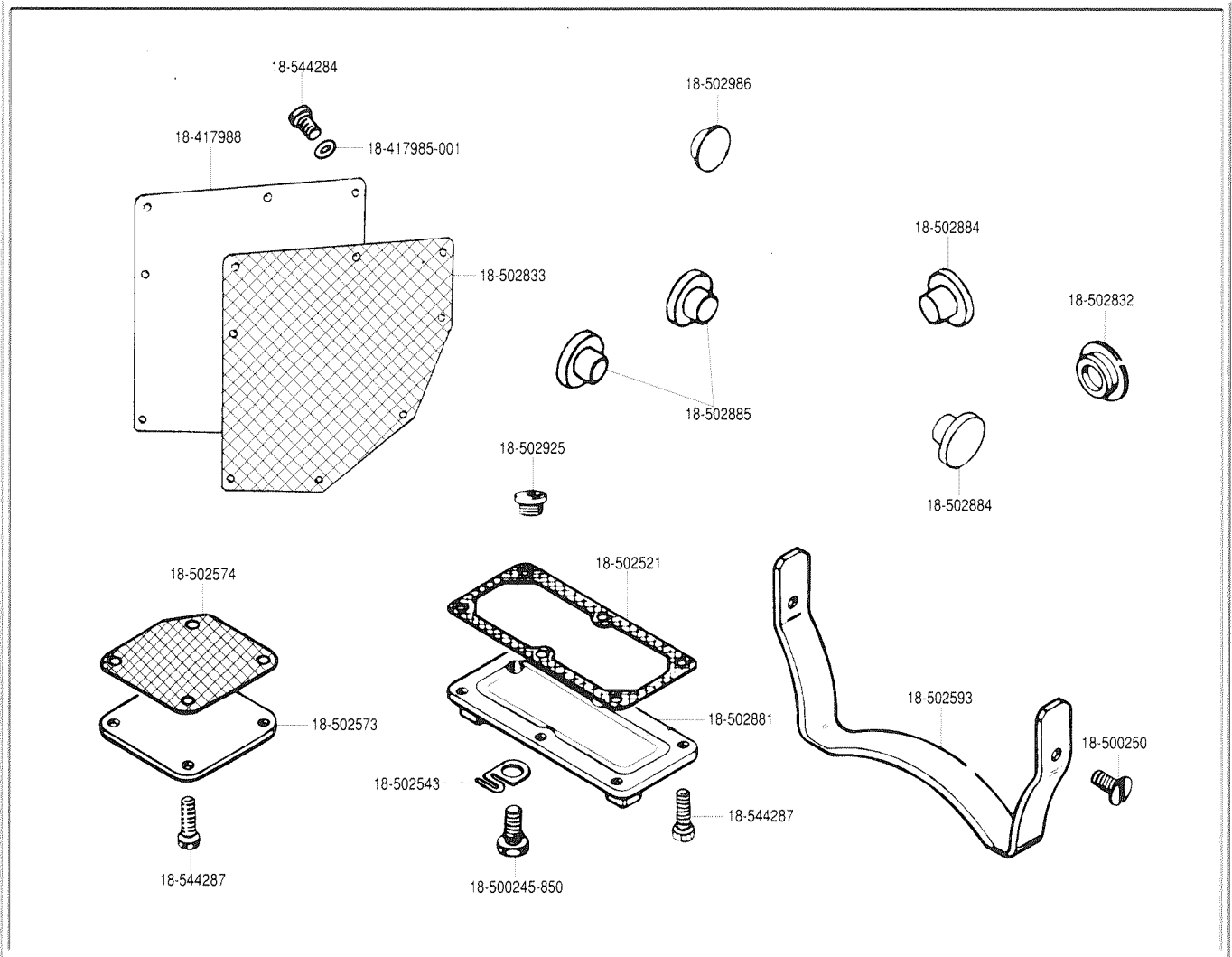
PART NO.	DESCRIPTION	PART NO.	DESCRIPTION
16-129-850	FEED REGULATING SHAFT INDICATOR LEVER SCREW	16-502849	FEED REGULATING SHAFT INDICATOR STOP SCREW
16-244212-055	STITCH LENGTH INDICATOR PLATE SCREW		RETAINING SPRING
16-282207	STITCH LENGTH INDICATOR PLATE	16-502868	FEED REGULATING CONNECTION SHAFT BUSHING
16-411065	FEED REGULATING CONNECTION SHAFT COLLAR WITH TWO 16-545174-452	16-502871	FEED REGULATING SHAFT LEVER POSITION PIN
16-411082	FEED REGULATING SHAFT INDICATOR CPL. NOS., 16-129-850, 16-411149, 16-411150 AND 16-543801-005	16-502878	FEED REGULATING SHAFT LEVER WITH 16-502871
16-411149	FEED REGULATING SHAFT INDICATOR LEVER	16-502979	FEEDL REGULATING SHAFT SPACER
16-411150	FEED REGULATING SHAFT INDICATOR LEVER CONNECTING LINK	16-543801-005	FEED REGULATING SHAFT INDICATOR LEVER HINGE STUD RETAINER
16-411184	FEED REGULATING CONNECTION SHAFT	16-543801-006	FEED REGULATING CONNECTION SHAFT CRANK LINK RETAINING RING
16-500309-850	FEED REGULATING SHAFT INDICATOR STOP SCREW (2)	16-545174-452	FEED REGULATING CONNECTING SHAFT COLLAR SET SCREW(2)
16-500310-833	FEED REGULATING RETAINING SPRING SCREW		

# OIL PUMP BODY



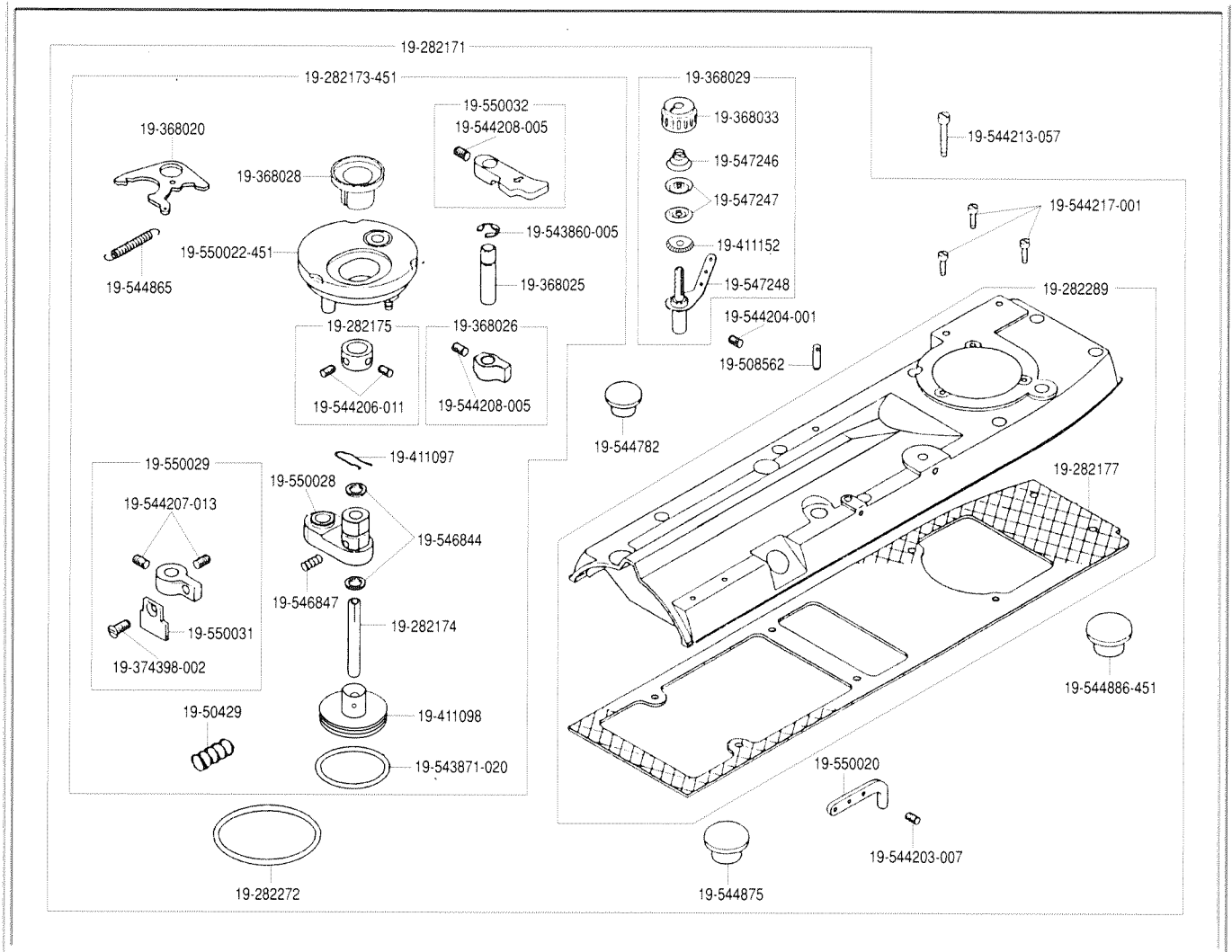
PART NO.	DESCRIPTION	PART NO.	DESCRIPTION
17- 201-850	OIL SIGHT BODY SCREW (2)	17-500104-850	ARM OIL SHIELD (AERATED PLASTIC) RETAINER SCREW (2)
17- 207-850	HEAD END OIL DRAIN WICK CLAMP SCREW	17-500115-850	OIL DISTRIBUTOR PLATE SCREW
17- 998-833	OIL RETURN TUBE SCREW	17-502505	HEAD END OIL DRAIN WICK CLAMP (FRONT)
17- 16380	OIL REMOVING LINT SCREW	17-502575	HOOK SHAFT GEAR BOX OIL PIPE WITH 17-1117592
17-117592	HOOK SHAFT GEAR BOX OIL PIPE CONNECTOR	17-502635-002	OIL DELIVERY TUBE
17-282220	HOOK OIL FLOW REGULATING VALVE BRACKET	17-502647-002	OIL RETURN TUBE UPPER (SHORT)
17-282221	HOOK OIL FLOW REGULATING VALVE, PIPE(CPL.)	17-502648-002	OIL RETURN TUBE LOWER (LONG)
17-282223	HOOK OIL FLOW REGULATING VALVE	17-502650-002	OIL SIGHT BODY WITH 17-502651
17-282227	OIL GUARD COVER FOR 105L, 125L, 135L	17-502651	OIL SIGHT WICK
17-282228	OIL GUARD COVER FOR 143N-L	17-502752	BED SHAFT BUSHING (CENTER) OIL HOLE PLUG
17-282229	OIL GUARD COVER FELT FOR 105L, 125L, 135L	17-502834	ARM OIL SHIELD (AERATED PLASTIC) RETAINER
17-282230	OIL GUARD COVER FELT FOR 143N-L	17-502890	ARM OIL SHIELD (AERATED PLASTIC) RETAINER FOR 105L, 125L, 135L
17-411147	OIL PUMP GEAR WITH TWO 17-504007	17-504007	OIL PUMP GEAR SET SCREW (2)
17-411207	OIL PUMP BODY CPL. NOS., 17-411147, 17-411208, 17-411210, 17-411211, 17-504010-451, 17-540556 AND 17-417875	17-504010-451	OIL REMOVING PUMP PISTON SPRING BRACKET SET SCREW
17-411208	OIL PUMP BODY	17-508514	OIL DISTRIBUTOR PLATE
17-411210	OIL PUMP SCREW SHAFT	17-508878	OIL DISTRIBUTOR PLATE FOAM PAD
17-411211	OIL REMOVING PUMP PISTON SPRING BRACKET	17-508943	OIL DISTRIBUTOR PLATE CPL. NOS., 17- 508514 AND 17-508878
17-411212	OIL REMOVING TUBE, OIL REMOVING LINT SCREEN CPL. NOS., 17-16380, 17-411213 AND 17-411217	17-508960	HOOK SHAFT GEAR BOX OIL PIPE
17-411213	OIL REMOVING TUBE	17-540556	OIL REMOVING PUMP PISTON
17-411217	OIL REMOVING TUBE WIRE	17-543871-003	HOOK OIL FLOW REGULATING VALVE O-RING
17-411311	ARM OIL SHIELD RETAINER FOR 143N-L	17-544212-052	HOOK OIL FLOW REGULATING VALVE SCREW
17-411389	OIL RETURN TUBE LOWER (LONG) CPL. NOS., 17-502648-002 AND 17-411390	17-544284	OIL GUARD SCREW (2)
17-411390	OIL RETURN TUBE	17-544285	OIL PUMP MOUNTING SCREW (2)
17-417875	OIL REMOVING PUMP PISTON SPRING	17-544449	HOOK OIL FLOW REGULATING VALVE BRACKET SCREW

# ARM COVER (BACK)



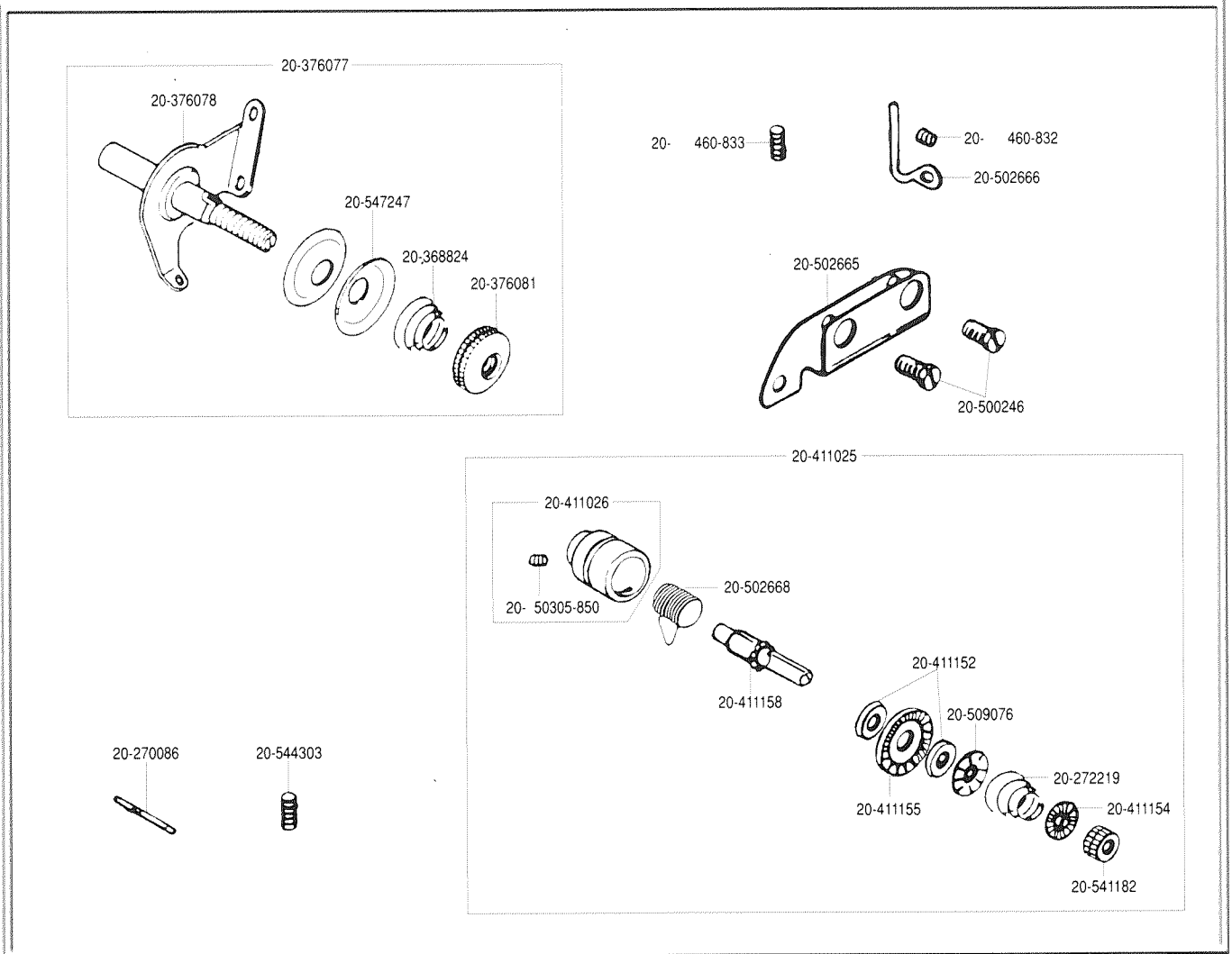
PART NO.	DESCRIPTION	PART NO.	DESCRIPTION
18-417895-001	ARM COVER (BACK) SCREW GASKET (6)	18-502833	ARM COVER (BACK) GASKET
18-417988	ARM COVER (BACK)	18-502881	BED SHAFT GEAR BOX COVER
18-500245-850	BED SHAFT GEAR BOX COVER DRAIN SCREW	18-502884	BED PLUG (FRONT AND REAR SIDE) (2)
18-500250	MACHINE LEG SCREW (2)	18-502885	BED PLUG (BACK) (2)
18-502521	BED SHAFT GEAR BOX COVER GASKET	18-502925	BED PLUG SCREW
18-502543	FEED BAR HINGE PIN OILING FELT CLAMP	18-502986	NEEDLE VIBRATING ADJUSTING CRANK SHAFT HOLE PLUG (2)
18-502573	HOOK SHAFT GEAR BOX COVER	18-544284	ARM COVER SCREW (6)
18-502574	HOOK SHAFT GEAR BOX COVER GASKET	18-544287	BED SHAFT GEAR BOX COVER SCREW (6)
18-502593	MACHINE LEG	18-544287	HOOK SHAFT GEAR BOX COVER SCREW (4)
18-502832	FEED REGULATING SHAFT PLUG		

# ARM COVER (TOP) (ASSEMBLY)



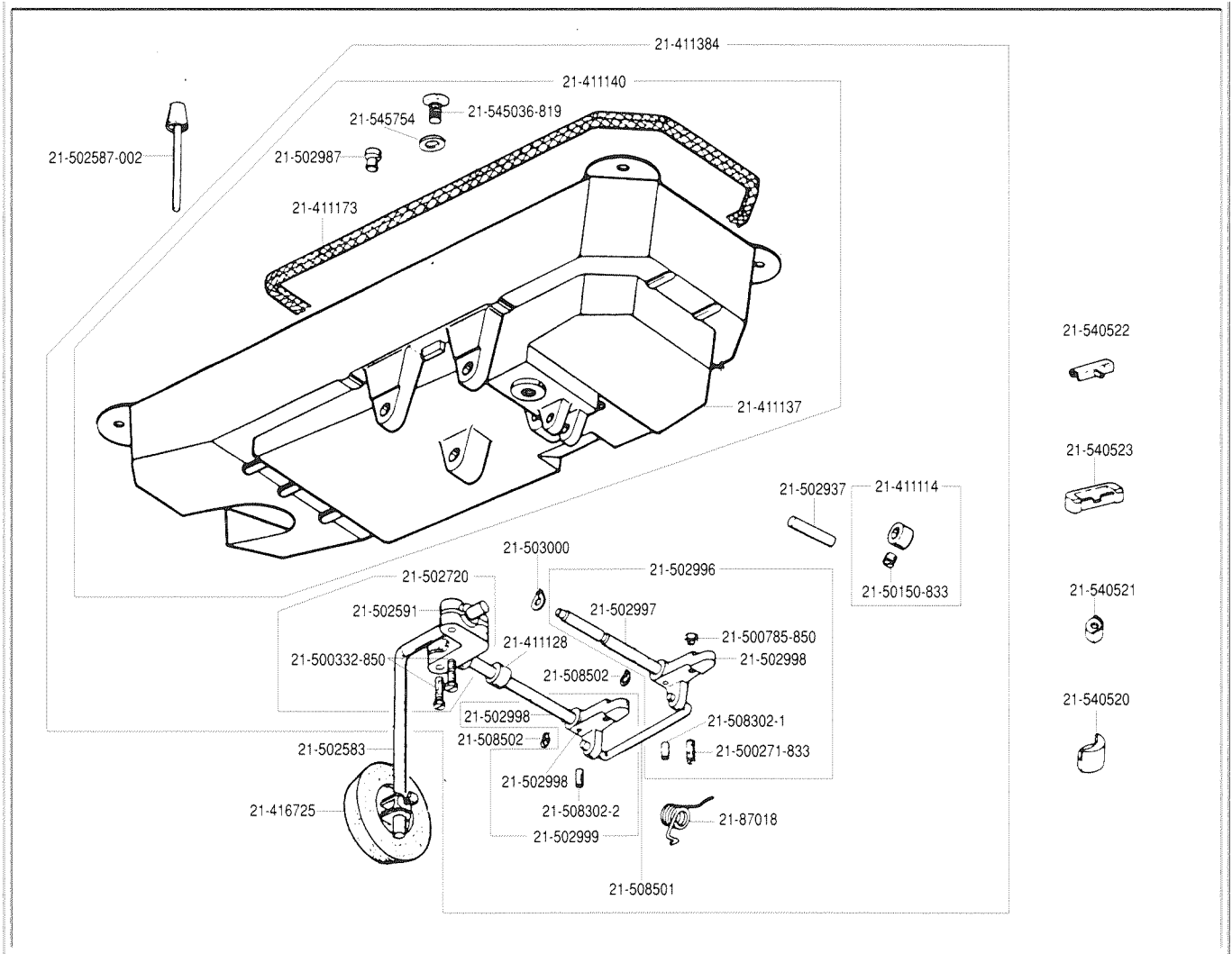
PART NO.	DESCRIPTION	PART NO.	DESCRIPTION
19-282171	ARM COVER (TOP)(ASS'Y)	19-544206-011	BOBBIN WINDER SHAFT COLLAR SCREW
19-282173-451	BOBBIN WINDER (CPL.)	19-544207-013	BOBBIN WINDER STOPPER SCREW
19-282174	BOBBIN WINDER SHAFT	19-544208-005	BOBBIN WINDER LEVER SCREW
19-282175	BOBBIN WINDER SHAFT COLLAR (CPL.)	19-544208-005	BOBBIN WINDER REGULATOR SCREW
19-282177	ARM COVER (TOP) GASKET	19-544213-057	ARM COVER (TOP) SCREW
19-282272	BOBBIN WINDER GASKET	19-544217-001	BOBBIN WINDER SCREW
19-282289	ARM COVER (TOP), GASKET (CPL.)	19-544782	PRESSER FOOT PRESSURE ADJ. HOLE PLUG
19-368020	BOBBIN WINDER BRACKET ACTUATING PLATE	19-544865	BOBBIN WINDER SPRING
19-368025	BOBBIN WINDER LEVER STUD	19-544875	ARM COVER (TOP) PLUG (CENTER)
19-368026	BOBBIN WINDER REGULATOR (CPL.)	19-544886-451	ARM COVER (TOP) PLUG (BACK)
19-368028	BOBBIN WINDER SPINDLE THREAD GUARD	19-546844	BOBBIN WINDER SHAFT FRICTION WHEEL WASHER
19-368029	BOBBIN WINDER TENSION (CPL.)	19-546847	BOBBIN WINDER SHAFT BUSHING SPRING
19-368033	BOBBIN WINDER TENSION REGULATING THUMB NUT	19-547246	BOBBIN WINDER TENSION SPRING
19-374398-002	BOBBIN WINDER STOPPER BOARD SCREW	19-547247	BOBBIN WINDER TENSION DISC
19-411097	BOBBIN WINDER SHAFT FRICTION WHEEL SPRING	19-547248	BOBBIN WINDER TENSION STUD
19-411098	FRICTION WHEEL WITH TWO 19-50429	19-550020	THREAD RETAINER (3-HOLES)
19-411152	TENSION FELT WASHER 19-50429 SCREW	19-550022-451	BOBBIN WINDER (BODY)
19-508562	ARM COVER (TOP) THREAD GUIDE STUD	19-550028	BOBBIN WINDER SHAFT BUSHING
19-543860-005	BOBBIN WINDER LEVER STUD LINK LOCK WASHER	19-550029	BOBBIN WINDER STOPPER (CPL.)
19-543871-020	BOBBIN WINDER SHAFT FRICTION WHEEL RING	19-550031	BOBBIN WINDER STOPPER BOARD
19-544203-007	THREAD RETAINER (3-HOLES) SCREW	19-550032	BOBBIN WINDER LEVER (CPL.)
19-544204-001	BOBBIN WINDER TENSION SCREW		

# PRETENSION, TENSION



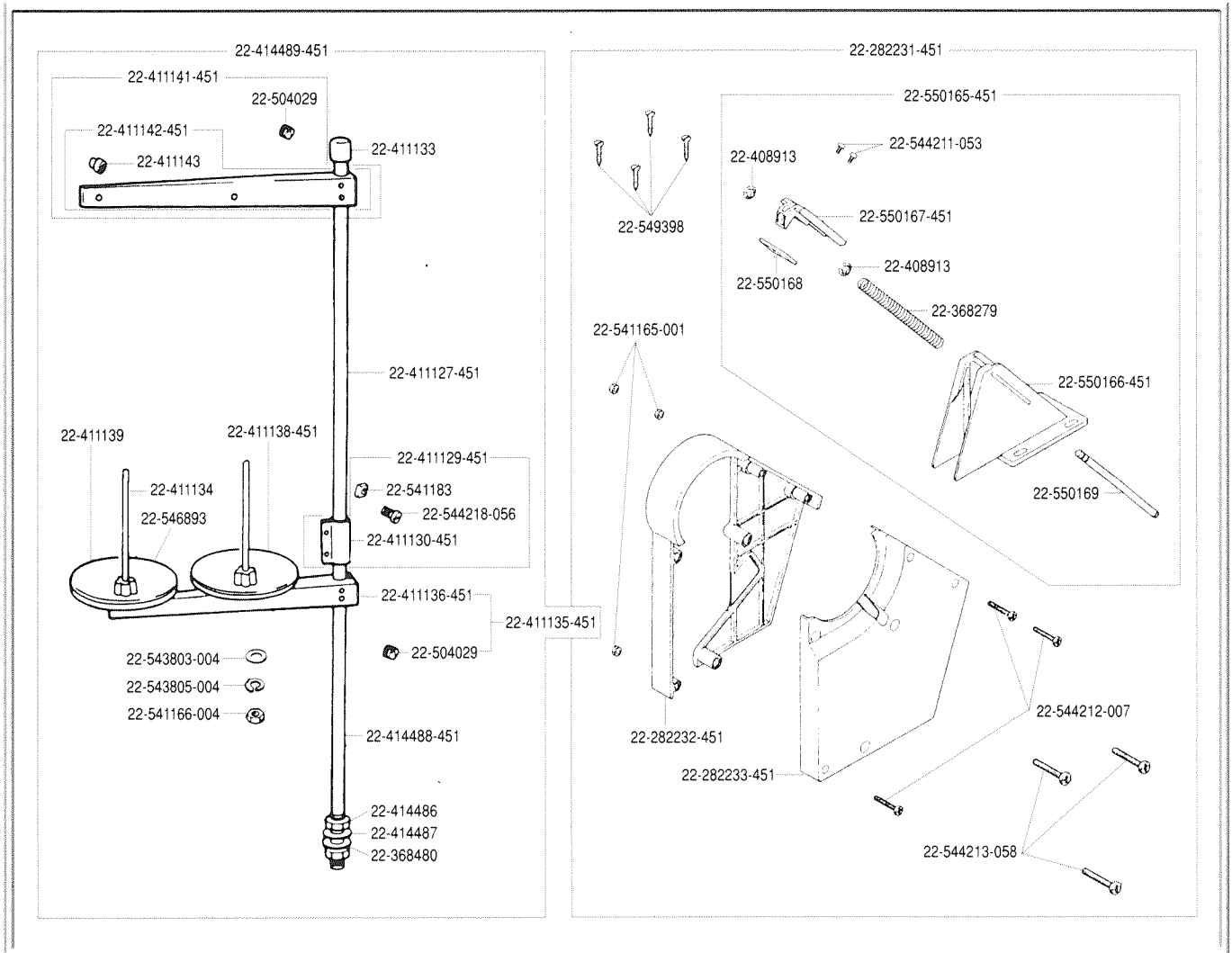
PART NO.	DESCRIPTION	PART NO.	DESCRIPTION
20- 460-832	THREAD PULL OFF SET SCREW	20-411026	THREAD TAKE-UP SPRING REGULATOR WITH 20-50305-850
20- 460-833	PRETENSION BRACKETS SET SCREW	20-411152	TENSION FELT WASHER (2)
20- 50305-850	TENSION STUD SET SCREW	20-411154	TENSION THUMB NUT LOCK WASHER
20-270086	TENSION RELEASING PIN	20-411155	TENSION WHEEL
20-272219	TENSION SPRING	20-411158	TENSION STUD
20-368824	PRETENSION SPRING	20-500246-850	THREAD GUIDE SCREW (2)
20-376077	PRETENSION CPL. NOS., 20-376077, 20-376078, 20- 368824, 20-376081 AND 20-547247	20-502665	THREAD GUIDE
20-376078	PRETENSION BRACKET	20-502666	THREAD PULL OFF
20-376081	PRETENSION ADJUSTING NUT	20-502668	THREAD TAKE-UP SPRING
20-411025	TENSION CPL. NOS., 20- 272219, 20-411026, 20-411154, 20-411155, 20-411158, 20-502668, 20-509076, 20-541182 AND TWO 20-411152	20-509076	TENSION RELEASING DISC
		20-541182	TENSION THUMB NUT
		20-544303	THREAD REGULATOR SET SCREW
		20-547247	PRETENSION DISC (2)

# OIL RESERVOIR AND KNEE LIFTER



PART NO.	DESCRIPTION	PART NO.	DESCRIPTION
21- 50150-833	FEED REVERSING FOOT CONTROL LEVER PIN COLLAR SET	21-502987	FEED REVERSING PLUNGER HOLE PLUG
	SCREW	21-502996	KNEE LIFTER CONTROL SHAFT CPCL. NOS., 21- 500271-833, 21-500785-850, 21-502997, 21-502998 AND 21-508302
21- 87018	KNEE LIFTER RETURNING SPRING	21-502997	KNEE LIFTER CONTROL SHAFT
21-411114	FEED REVERSING FOOT CONTROL LEVER PIN COLLAR WITH	21-502998	KNEE LIFTER CONTROL SHAFT CRANK
	21-50150	21-502998	KNEE LIFTER ROCK SHAFT CRANK
21-411128	KNEE LIFTER ROCK SHAFT SPACER	21-502999	KNEE LIFTER ROCK SHAFT CPL. NOS., 21-502589, 21-502998
21-411137	MACHINE BASE AND OIL RESERVOIR	21-503000	KNEE LIFTER CONTROL SHAFT GRIP RING
21-411140	MACHINE BASE AND OIL RESERVOIR (CPL.) NOS., 21-411128,	21-508302-1	KNEE LIFTER CONTROL SHAFT CRANK PIN
	21-411137, 21-502987, 21-545036-819 AND 21-545754	21-508302-2	KNEE LIFTER ROCK SHAFT CRANK PIN
21-411173	MACHINE BASE AND OIL RESERVOIR CUSHION	21-508501	KNEE LIFTER ROCK SHAFT CONNECTION
21-411384	OIL RESERVOIR AND KNEE LIFTER ASS'Y NOS., 21-87018,	21-508502	KNEE LIFTER ROCK SHAFT CONNECTION GRIP RING (2)
	21-411114, 21-411140, 21-502720, 21-502937, 21-502996,	21-540520	MACHINE BASE AND OIL RESERVOIR CUSHION (FRONT)
	21-502999, 21-503000, 21-508501 AND TWO 21-508502		WITH TWO WIRE NAIL (2)
21-416725	KNEE LIFTER KNEE PLATE CPL.	21-540521	MACHINE BASE AND OIL RESERVOIR CUSHION (BACK)
21-500271-833	KNEE LIFTER CONTROL SHAFT CRANK STOP SCREW		WITH TWO WIRE NAIL (2)
21-500332-850	KNEE LIFTER ROCK SHAFT HUB PINCH SCREW (2)	21-540522	MACHINE HINGE (2)
21-500785-850	KNEE LIFTER CONTROL SHAFT CRANK STOP SCREW NUT	21-540523	MACHINE HINGE CONNECTION CUSHION (2)
21-502583	KNEE LIFTER KNEE PLATE ARM	21-545036-819	MACHINE BASE AND OIL RESERVOIR DRAIN PLUG SCREW
21-502587-002	KNEE LIFTER PLUNGER	21-545754	MACHINE BASE AND OIL RESERVOIR DRAIN PLUG SCREW
21-502589	KNEE LIFTER ROCK SHAFT		GASKET
21-502591	KNEE LIFTER ROCK SHAFT HUB		
21-502720	KNEE LIFTER ROCK SHAFT HUB WITH TWO 21-500332-850		
21-502937	FEED REVERSING FOOT CONTROL LEVER PIN		

# BELT GUARD, THREAD UNWINDER (2-SPOOL)














PART NO.	DESCRIPTION	PART NO.	DESCRIPTION
22-282231-451	BELT GUARD (CPL.)	22-414489-451	THREAD UNWINDER (2-SPOOLS) CPL. NOS., 22-411127-451,
22-282232-451	BELT GUARD (LEFT)	22-411129-451, 22-411133, 22-411135-451, 22-411141-451,	
22-282233-451	BELT GUARD (RIGHT)	22-414488-451, TWO EACH 22-368480, 22-411134, 22-411138-	
22-368279	BELT GUARD SLIDE SPRING	451, 22-411139, 22-414486, 22-414487, 22-541166-004,	
22-368480	THREAD UNWINDER ROD RUBBER CUSHION (2)	22-543803-004, 22-543805-004 AND 22-546893	
22-408913	BELT GUARD SLIDE SHAFT SNAP RING	22-504029	THREAD UNWINDER SPOOL CARRIER ARM SET SCREW (2)
22-411127-451	THREAD UNWINDER ROD	22-504029	THREAD UNWINDER THREAD GUIDE SET SCREW (2)
22-411129-451	THREAD UNWINDER ROD CONNECTION CPL. NOS.,	22-541165-001	BELT GUARD SCREW NUT (M4)
	22- 411130-451, TWO EACH 22-541183 AND 22-544218-056	22-541166-004	THREAD UNWINDER SPOOL LOCK NUT (2)
22-411130-451	THREAD UNWINDER ROD CONNECTION	22-541183	THREAD UNWINDER ROD CONNECTION SCREW NUT (2)
22-411133	THREAD UNWINDER ROD CAP	22-543803-004	THREAD UNWINDER SPOOL LOCK NUT WASHER (2)
22-411134	THREAD UNWINDER SPOOL (2)	22-543805-004	THREAD UNWINDER SPOOL LOCK NUT SPRING WASHER (2)
22-411135-451	THREAD UNWINDER SPOOL CARRIER ARM CPL. NOS.,	22-544211-053	BELT GUARD SLIDE SCREW
	22-411136-451 AND TWO 22-504029	22-544212-007	BELT GUARD SCREW (M4)
22-411136-451	THREAD UNWINDER SPOOL CARRIER ARM	22-544213-058	BELT GUARD SCREW (M5)
22-411138-451	THREAD UNWINDER SPOOL CARRIER PLATE (2)	22-544218-056	THREAD UNWINDER ROD CONNECTION SCREW (2)
22-411139	THREAD UNWINDER SPOOL CARRIER PLATE CUSHION (2)	22-546893	THREAD UNWINDER SPOOL HOLDER (2)
22-411141-451	THREAD UNWINDER THREAD GUIDE CPL. NOS., 22-411142-	22-549398	BELT GUARD (BACK) WOOD SCREW
	451 AND TWO 22-504029	22-550165-451	BELT GUARD (BACK) (CPL.)
22-411142-451	THREAD UNWINDER THREAD GUIDE WITH TWO 22- 411143	22-550166-451	BELT GUARD (BACK)
22-411143	THREAD UNWINDER THREAD GUIDE EYELET (2)	22-550167-451	BELT GUARD SLIDE
22-414486	THREAD UNWINDER ROD LOCK NUT (2)	22-550168	BELT GUARD SLIDE STOPPER PLATE
22-414487	THREAD UNWINDER ROD LOCK NUT WASHER (2)	22-550169	BELT GUARD SLIDE SHAFT
22-414488-451	THREAD UNWINDER ROD		



# MODEL : 475A-143N-L 可選用凸輪規格表

## OPTION CAMS FOR MODEL : 475A-143N-L

凸輪編號 CAMS NO.	功能說明 DESCRIPTION	線跡 STITCH PATTERN	最大縫寬 MAX. PATTERN WIDTH	最大針幅 MAX. STITCH WIDTH
N-358*	12 針跡開式扇形凸輪 12-stitch opened scallop cam		8.0mm	2.4mm
N-360*	24 針跡新月扇形凸輪 24-stitch crescent scallop cam		8.0mm	3.6mm
N-464*	24 針跡勻稱扇形凸輪 24-stitch even scallop cam		8.0mm	3.4mm
411295*	24 針跡勻稱扇形凸輪 24-stitch even scallop cam		8.0mm	2.6mm
*注意：當你使用扇形凸輪時，底線張力要調整緊一點。 * Note : When you use scallop cam, please regulate bobbin thread tension to be More Tension.				
N-394	普通Z字型凸輪 Plain zig-zag cam		5.0mm	——
N-462	2 針3點Z字型凸輪 2-step zig-zag cam		8.0mm	——
N-362	3 針4點Z字型凸輪 3-step zig-zag cam		8.0mm	——
N-396	4 針跡盲縫(暗針)凸輪 Blind stitch cam (4 stitches)		5.0mm	——
N-364	6 針跡盲縫(暗針)凸輪 Blind stitch cam (6 stitches)		5.0mm	——
N-480	8 針跡盲縫(暗針)凸輪 Blind stitch cam (8 stitches)		5.0mm	——
N-482	12 針跡盲縫(暗針)凸輪 Blind stitch cam (12 stitches)		5.0mm	——

# PARTS LIST BY NUMERICAL

PART NO.	PAGE	PART NO.	PAGE	PART NO.	PAGE	PART NO.	PAGE	PART NO.	PAGE
N1906-01	13	282187	3	411002	15	411141-451	22	417894	3
N1906-01-12	5	282188	4	411003	12	411142-451	22	417895	2
N1906-07-10	5	282190	4	411005	2	411143	22	417895-001	18
86-850	4	282193	4	411009	2	411146	6	417905	1
129-850	16	282194	4	411010	2	411147	17	417906	1
190-850	13	282195	6	411014-451	1	411149	16	417919	4
201-850	17	282195	7	411015-451	1	411150	16	417920	4
207-850	17	282195	11	411016-451	1	411152	19	417974	2
223	5	282196-451	9	411023	3	411152	20	417988	18
229	12	282198	8	411024	3	411154	20	500067-833	8
238	4	282198	9	411025	20	411155	20	500104-850	17
449-833	15	282204-451	8	411026	20	411158	20	500115-850	17
460-832	20	282206	8	411028	15	411160	2	500244	2
460-833	20	282206	9	411030	15	411168	6	500244	4
998-833	17	282207	16	411035	4	411169	6	500245-850	18
1177-850	14	282220	17	411037	15	411170	8	500246-850	1
1664-850	6	282221	17	411039	12	411173	21	500246-850	20
16380	17	282223	17	411040	12	411174	6	500246-851	1
50150-833	21	282224	6	411041	10	411180	3	500247-833	12
50305-850	20	282224	7	411042	10	411184	16	500250	18
50429-833	1	282227	17	411044	10	411207	17	500256	4
50624-833	4	282228	17	411045	7	411208	17	500257-850	15
51369-850	14	282229	17	411046	8	411210	17	500261-850	3
51388-850	15	282230	17	411046	9	411211	17	500262-833	1
87018	21	282231-451	22	411047	10	411212	17	500264-833	12
117592	17	282232-451	22	411051	9	411213	17	500067-833	9
140930-869	15	282233-451	22	411053	6	411215	4	500271-833	21
141507-803	13	282258	8	411053	7	411217	17	500272-833	2
141525-806	13	282258	9	411059	14	411220	11	500274-833	2
141567	2	282259	8	411060	14	411223	11	500302-850	8
144465	13	282259	9	411061	14	411246	8	500302-850	9
200592-803	13	282260	8	411062	14	411246	9	500303-869	6
200964-803	13	282260	9	411063	14	411275	8	500303-869	7
201016-803	13	282270	5	411065	16	411276	8	500303-869	11
210600	4	282272	19	411068	9	411277	11	500306-869	13
210735	13	282284	1	411068-945	9	411278	11	500307-850	2
210736	13	282285-451	9	411069	9	411279	11	500308-833	15
210913	13	282286-451	8	411070	9	411281	11	500309-850	16
214206	2	282287-451	8	411071	9	411283	11	500310-833	16
230743	1	282288-451	8	411073	7	411284	11	500312-850	3
233028-452	13	282289	19	411074	6	411285	11	500332-850	21
244212-055	16	350881-869	11	411074	7	411286	11	500785-850	21
270086	20	368020	19	411077	10	411288	11	502505	17
271808	12	368025	19	411078	10	411290	11	502508	2
272128	1	368026	19	411082	16	411291	11	502509	2
272142	2	368028	19	411088	1	411292	11	502515	15
272143	2	368029	19	411097	19	411294	11	502516	3
272144	15	368033	8	411098	19	411295	11	502516	12
272219	20	368033	9	411110	13	411299	3	502516	15
276025	4	368033	19	411114	21	411304	2	502517	15
276114	2	368279	22	411116	13	411306	11	502518-002	15
276508	1	368480	22	411118	15	411311	17	502521	18
282141	2	368824	20	411120-001	3	411314	4	502530	13
282142	2	374356	1	411122	12	411384	21	502536	13
282146	3	374397-003	8	411123	12	411385	2	502541	15
282150	4	374397-003	9	411127-451	22	411389	17	502542	15
282158	2	374398-002	19	411128	21	411390	17	502543	18
282159	2	376029	2	411129-451	22	411499	7	502544	15
282160	2	376060	4	411130-451	22	414486	22	502545	15
282171	19	376077	20	411131	5	414487	22	502546	15
282173-451	19	376078	20	411132	5	414488-451	22	502547	4
282174	19	376081	20	411133	22	414489-451	22	502558	15
282175	19	376112	3	411134	22	416647	1	502560-002	15
282176	1	376181	3	411135-451	22	416648	1	502565	12
282177	19	376184	4	411136-451	22	416725	21	502566	12
282178	1	408913	22	411137	21	417663	13	502572	12
282184	3	410154	13	411138-451	22	417664	13	502573	18
282185	3	410186	13	411139	22	417875	17	502574	18
282186	3	411001	5	411140	21	417893	3	502575	17

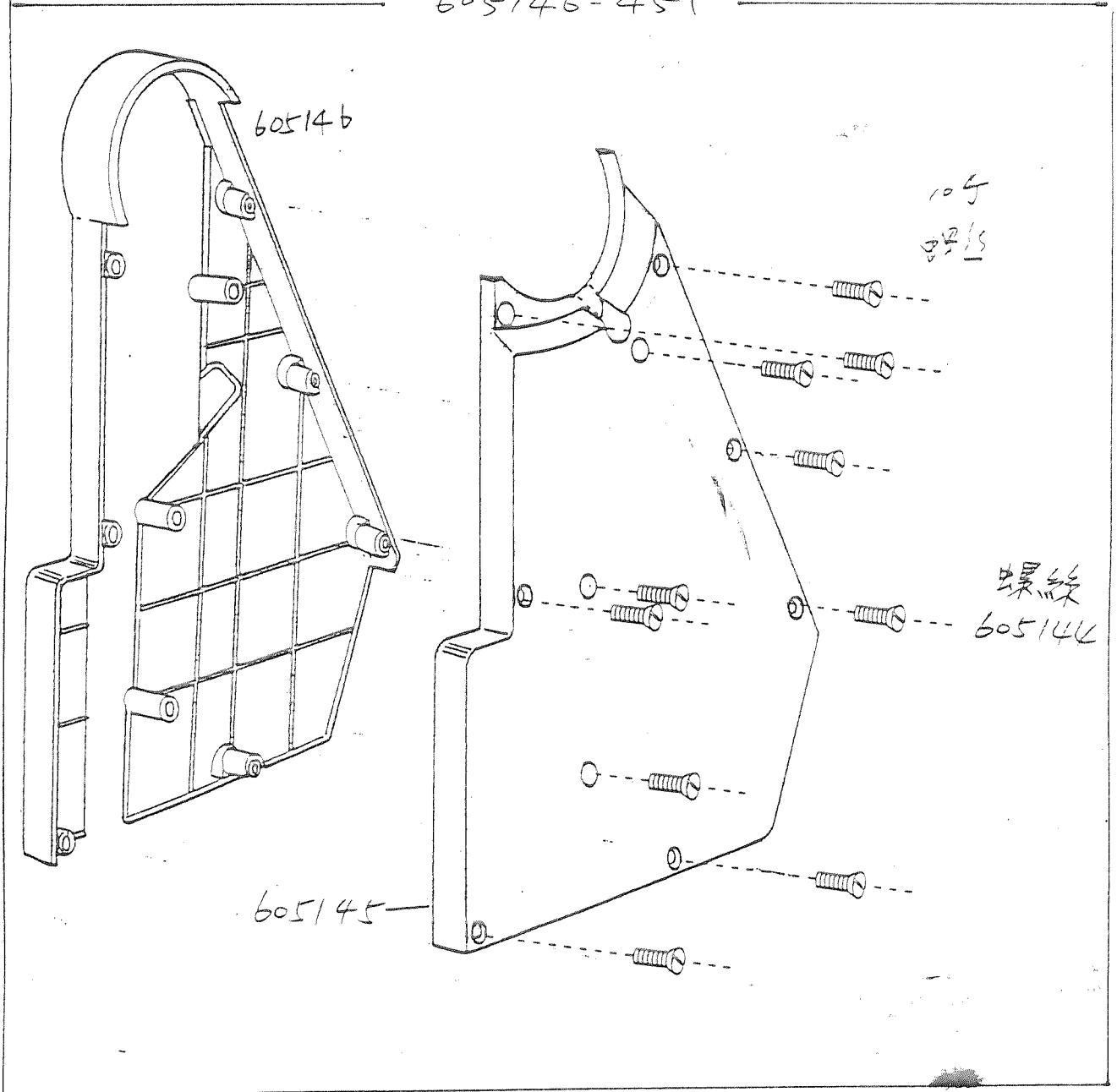
# PARTS LIST BY NUMERICAL

PART NO.	PAGE	PART NO.	PAGE	PART NO.	PAGE	PART NO.	PAGE	PART NO.	PAGE
502577	12	502826	15	504007	17	543809-002	3	544306	2
502581	12	502831	2	504010-451	17	543815-003	11	544307	6
502582	12	502831	6	504029	22	543833-002	2	544307	11
502583	21	502831	7	504048	8	543849-004	11	544307	14
502586	3	502831	11	504048	9	543860-005	19	544308	9
502587-002	21	502832	18	504048	15	543871-003	3	544320	12
502589	21	502833	18	504066-452	14	543871-003	17	544449	17
502591	21	502834	17	504101	2	543871-020	19	544487	11
502593	18	502837	15	504101	7	543875-104	1	544488	11
502594	5	502838	15	504101	15	544053	15	544782	11
502597	5	502839	15	504101-1	12	544203-001	11	544782	19
502603	2	502843	14	504101-2	12	544203-007	19	544865	19
502608	5	502844	14	504101-3	12	544204-001	11	544875	19
502611	12	502845	14	504102	15	544204-001	19	544886-451	19
502619	11	502847	14	504112	7	544205-001	11	545036-819	21
502622	1	502849	16	504134	12	544206-011	19	545082-452	1
502635-002	17	502850	14	504134	15	544207-012	2	545082-452	13
502647-002	17	502850-931	8	504507	1	544207-013	19	545136-452	6
502648-002	17	502850-931	9	504509-452	3	544208-004	10	545136-452	11
502650-002	17	502857	14	507523	14	544208-005	3	545174-452	16
502651	17	502858	14	508302-1	21	544208-005	10	545180-452	5
502653	3	502859	14	508302-2	21	544208-005	19	545181	11
502659	2	502860	14	508501	21	544211-053	22	545205-452	3
502662	3	502862	14	508502	21	544211-055	8	545244-452	1
502665	20	502866	14	508506	4	544211-055	9	545246-456	1
502666	20	502867	14	508514	17	544212-003	13	545249-452	2
502668	20	502868	16	508523	14	544212-007	22	545249-453	2
502670	1	502871	16	508524	14	544212-052	8	545249-452	4
502672	5	502878	16	508530	13	544212-052	9	545249-452	5
502674	5	502879	15	508537	13	544212-052	17	545249-452	6
502675-002	15	502880	15	508562	19	544212-053	8	545249-452	10
502676	12	502881	18	508878	17	544212-053	9	545249-452	11
502679	3	502884	18	508879-002	5	544213-051	10	545291	4
502682	2	502885	18	508880	5	544213-052	3	545318-452	1
502703	15	502888	15	508883	5	544213-053	8	545361-452	10
502704	15	502890	17	508884	5	544213-053	9	545425-452	12
502713	12	502892	15	508914	12	544213-057	19	545754	3
502717	13	502922	10	508943	17	544213-058	22	545754	21
502720	21	502925	18	508960	17	544217-001	19	546844	19
502752	11	502928	12	509050	6	544218-056	22	546847	19
502752	15	502930	5	509076	20	544268	9	546870	1
502752	17	502931	14	540520	21	544282	10	546893	22
502760	6	502932	14	540521	21	544284	17	547246	19
502760	7	502937	21	540522	21	544284	18	547247	19
502760	11	502948	4	540523	21	544285	17	547247	20
502762	9	502949	14	540556	17	544283	8	547248	19
502763	2	502951-850	8	541165-001	22	544286	6	548101	4
502768	7	502957	6	541166-002	10	544286	7	548226	9
502775	10	502958	6	541166-004	22	544286	8	549398	22
502776	9	502959	6	541178	1	544286	11	549886	11
502776	10	502960	6	541180	11	544286	14	550020	19
502781	9	502961	6	541182	20	544286-101	7	550022-451	19
502782	10	502963	6	541183	22	544287	14	550028	19
502783	10	502964	6	541514	13	544287	18	550029	19
502785	6	502966	6	543066	13	544288	6	550031	19
502785	7	502968	6	543801-003	11	544288	11	550032	19
502786	3	502979	16	543801-005	14	544291	15	550165-451	22
502787	7	502986	18	543801-005	3	544292	3	550166-451	22
502788	10	502987	21	543801-005	16	544295	3	550167-451	22
502789	9	502990	6	543801-006	14	544296	3	550168	22
502793	9	502996	21	543801-006	16	544298	1	550169	22
502793	10	502997	21	543803-003	13	544300	2		
502794	9	502998	21	543803-013	8	544301	5		
502800	9	502998	21	543803-013	9	544302	8		
502802	6	502999	21	543803-004	22	544302	9		
502802	7	503000	21	543804-002	8	544303	20		
502802	9	503673	13	543804-002	9	544305	15		
502803-451	10	503743	4	543805-003	1	544305-1	12		
502818	12	503818	4	543805-004	22	544305-2	12		

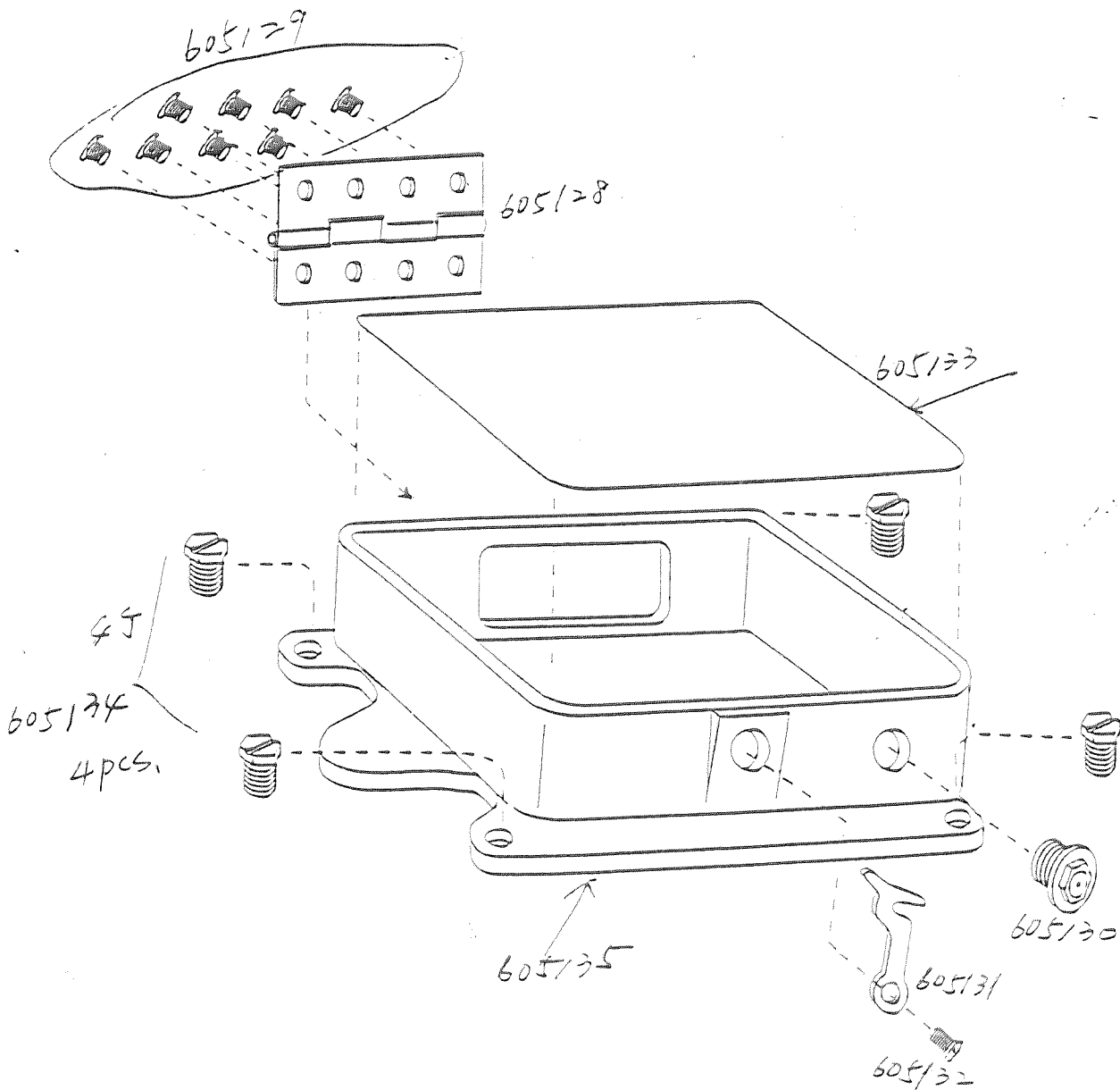
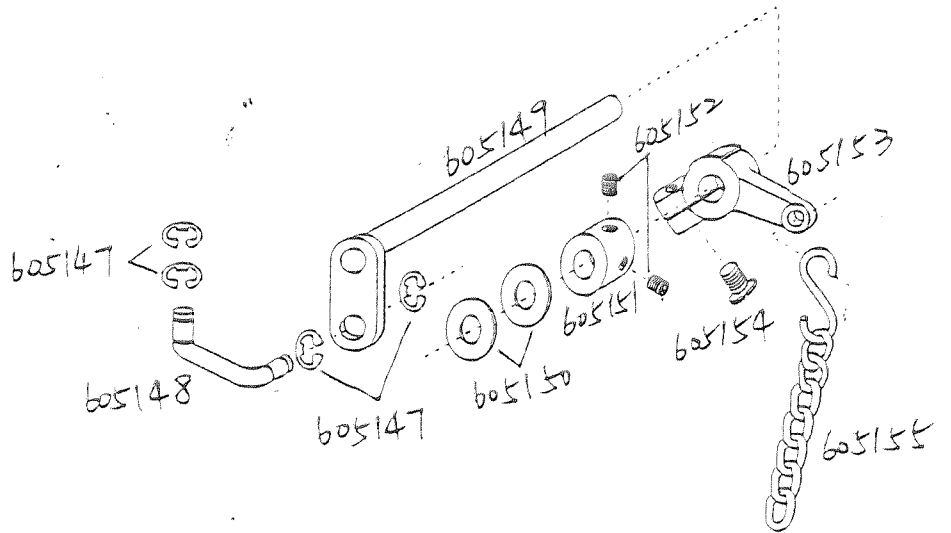
CYLINDER TYPE

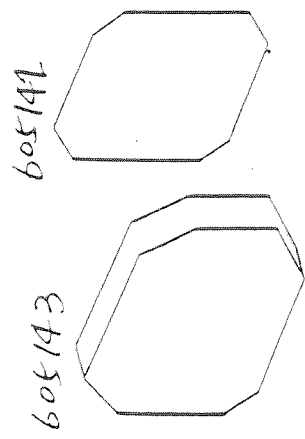
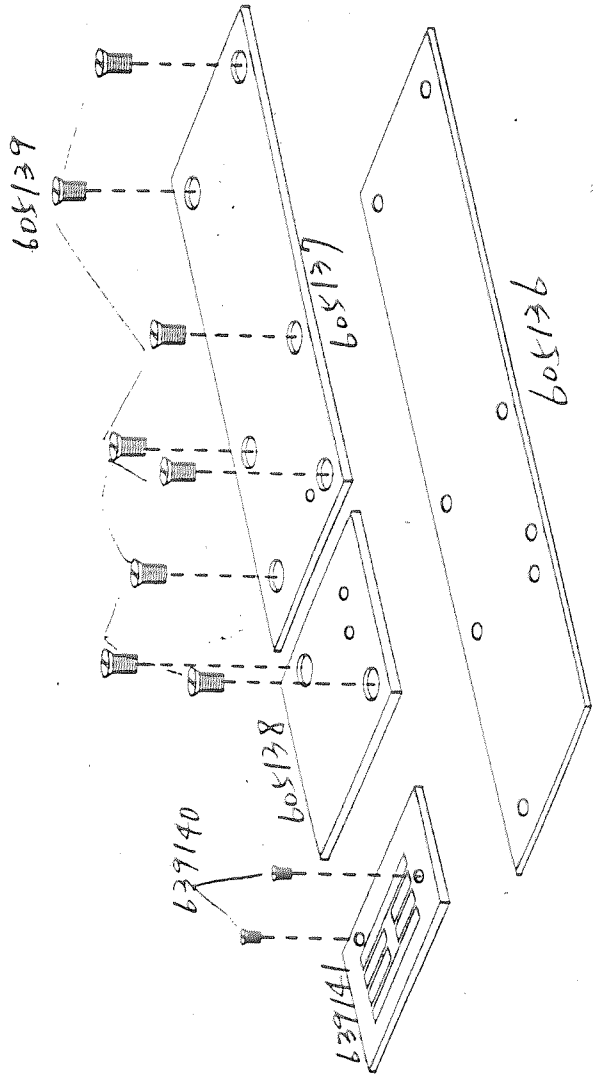
9

605146-451



475A-605-NCB-LG  
625-NCB-LG  
635-NCB-LG  
643-NCB-LG





MODEL: 475A-605-NCB-LG  
 605-NCB-LGM  
 625-NCB-LG  
 635-NCB-LG  
 643-NCB-LG  
 643-NCB-LGM  
 643-NCB-L43P

